



TECHNICAL CATALOGUE

AIR VENT VALVES AND SAFETY VALVES

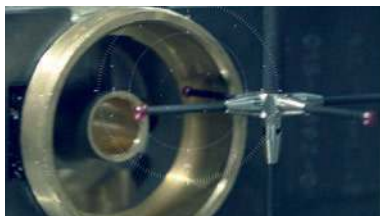


> THE COMPANY

ITAP SpA, founded in Lumezzane (Brescia) in 1972, is currently one of the leading production companies in Italy of **valves, fittings and distribution manifolds** for plumbing and heating systems.

Thanks to fully automated production processes, with 87 transfer machines and 70 assembly lines, we are able to produce 400,000 pieces per day.

Our innate pursuit for innovation and observance of technical regulations is supported by the company certification ISO 9001. The company has always considered its focus on quality as the main tool to obtain significant business results: today ITAP SpA is proud to offer products bearing the approval of numerous international certifying bodies.



> ITAP products have obtained approvals by more than 30 certification bodies from all over the world.





AIR VENT VALVES AND SAFETY VALVES

362 Automatic air-vent valve



SIZE	PRESSURE	CODE	PACKING
3/8"	10bar/145psi	3620038	10/70
1/2"	10bar/145psi	3620012	10/70
3/4"	10bar/145psi	3620034	10/30
1"	10bar/145psi	3620100	10/30

CERTIFICATIONS



TECHNICAL SPECIFICATIONS

Body in nickel-plated brass.

Float in polyethilenic resin.

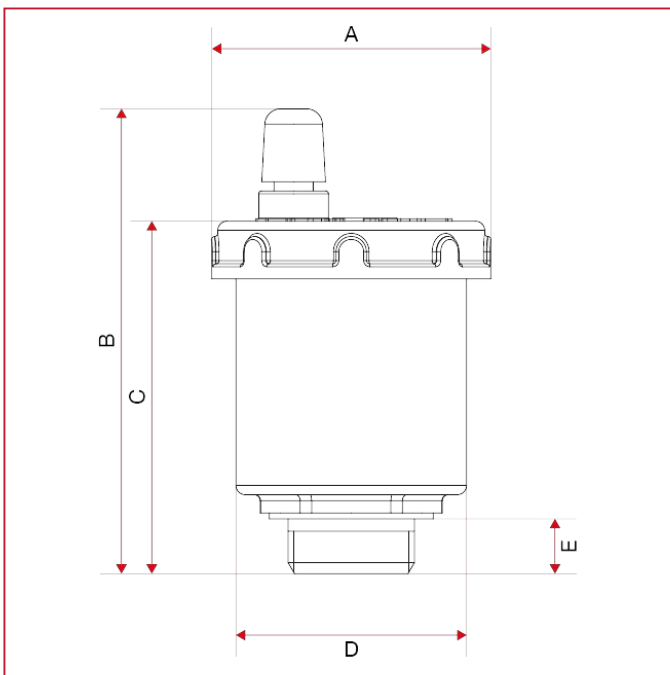
Maximum working temperature: 110°C.

Maximum discharge pressure: 6 bar.

Threads: ISO 228 (equivalent to DIN EN ISO 228 and BS EN ISO 228).

Available with NPT thread in the sizes 1/2" - 3/4" - 1"

OVERALL DIMENSIONS

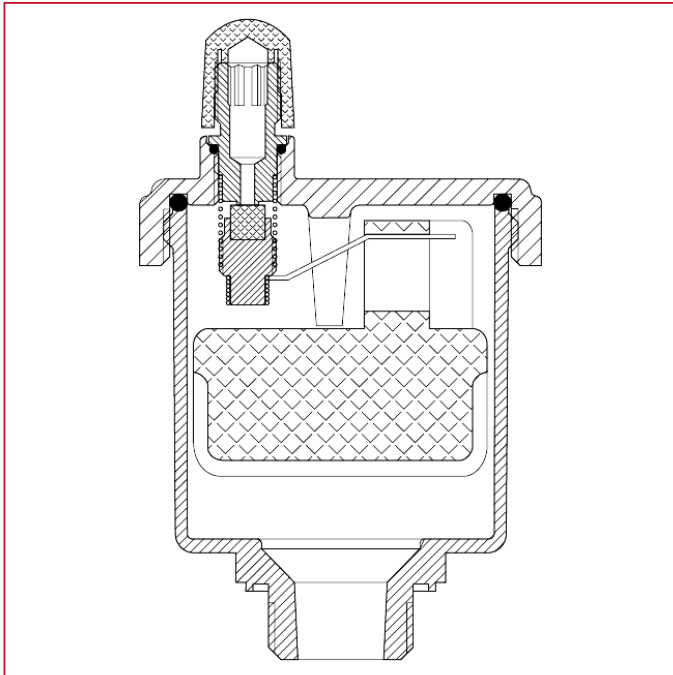




AIR VENT VALVES AND SAFETY VALVES

	3/8"	1/2"	3/4"	1"
A	46	46	50	50
B	75,5	76,5	100	100
C	57	58	85	85
D	38	38	42	42
E	8	9	10	12
Kg/cm ² bar	10	10	10	10
LBS - psi	145	145	145	145

MATERIALS



POS.	DESCRIPTION	N.	MATERIAL
1	Body	-	Brass UNI EN 1982
2	Cap	-	Brass CW617N
3	Float	-	Polyethylene
4	Cap	-	Polyethylene
5	Washer	-	NBR
6	Mechanism	-	Brass
7	Junction	-	Acetal resin
8	Lever	-	Acetal resin
9	Stop	-	Acetal resin



AIR VENT VALVES AND SAFETY VALVES

OPERATION AND INSTALLATION:

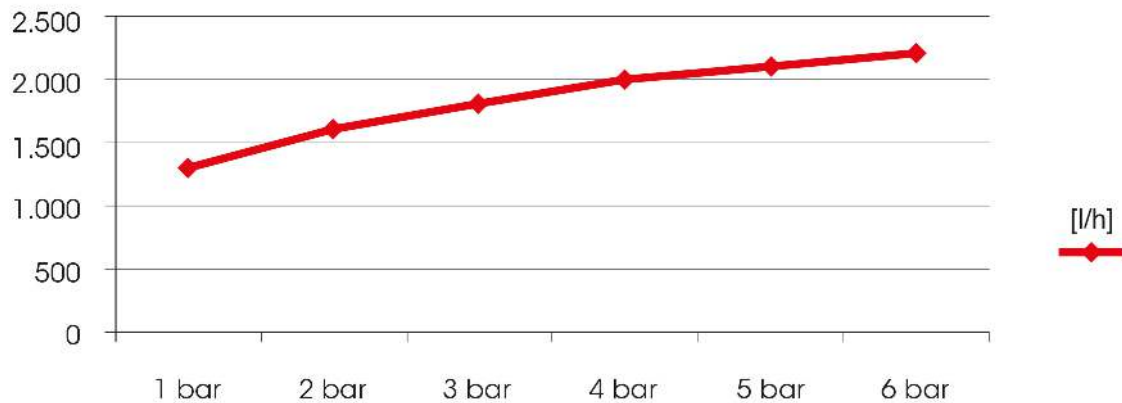
The automatic air vent valves are installed in order to remove the air that accumulates in heating and air conditioning systems. Thanks to their functioning, without need of manual operation, they allow to avoid for certain and permanently harmful phenomena that could compromise the life and the performance of any systems. Especially, it is possible to limit the negative effect of galvanic corrosion (due to extreme presence of oxygen inside the piping) and cavitation. Moreover, these valves allow to optimize the heating and cooling power of each system, since they avoid the formation of air pockets inside radiators and fan-coil units.

Such valves have to be installed in vertical position only, on top of each systems and, generally, where it is the evidence of air pockets' formation (distribution manifolds, riser pipes, etc.)

Under normal operating conditions, it is recommended to leave the cap loose.

The air flow of these valves raises in accordance to the working pressure of a system, up to reach a maximum figure when the pressure raises up to 6 bar.

Here below there is the flow rate chart of these valves, when the system is being filled: as it is possible to read, the chart includes a maximum working pressure of 6 bar, since this figure is higher than an usual working pressure in heating and air-conditioning system (generally they work till 3 bar).





AIR VENT VALVES AND SAFETY VALVES

362R Automatic air-vent valve, compact



SIZE	PRESSURE	CODE	PACKING
3/8"	10bar/145psi	3620038R	10/70
1/2"	10bar/145psi	3620012R	10/70

CERTIFICATIONS



TECHNICAL SPECIFICATIONS

Body in nickel-plated brass.

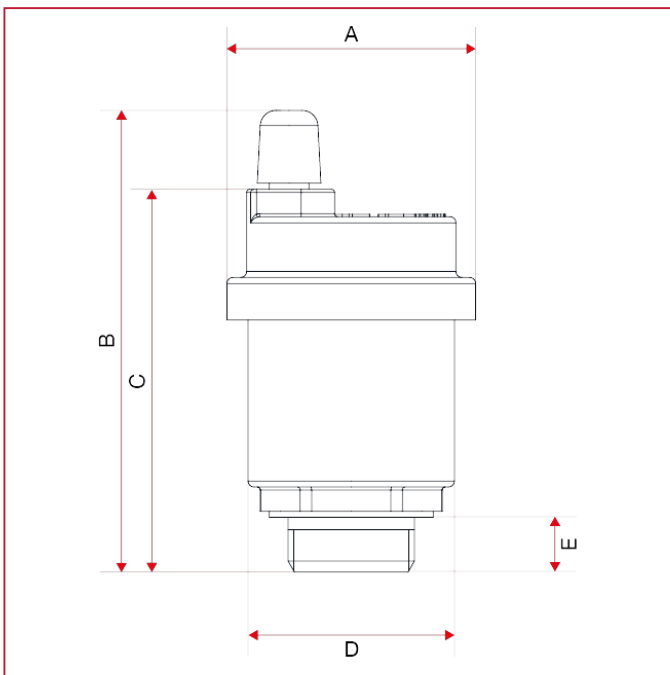
Float in polyethilenic resin.

Maximum working temperature: 110°C.

Maximum discharge pressure: 6 bar.

Threads: ISO 228 (equivalent to DIN EN ISO 228 and BS EN ISO 228).

OVERALL DIMENSIONS

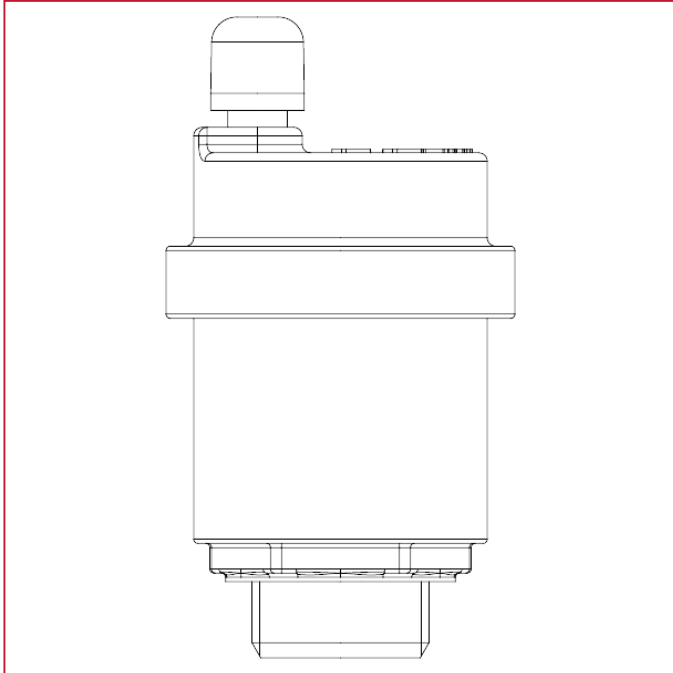




AIR VENT VALVES AND SAFETY VALVES

	3/8"	1/2"
A	41	41
B	75	76
C	62	63
D	34	34
E	8	9
Kg/cm ² bar	10	10
LBS - psi	145	145

MATERIALS



POS.	DESCRIPTION	N.	MATERIAL
1	Body	-	Brass UNI EN 1982-2000
2	Cap	-	Brass CW617N
3	Float	-	Polyethylene
4	Cap	-	Polyethylene
5	Washer	-	NBR
6	Mechanism	-	Brass
7	Junction	-	Acetal resin
8	Lever	-	Acetal resin
9	Stop	-	Acetal resin



AIR VENT VALVES AND SAFETY VALVES

OPERATION AND INSTALLATION:

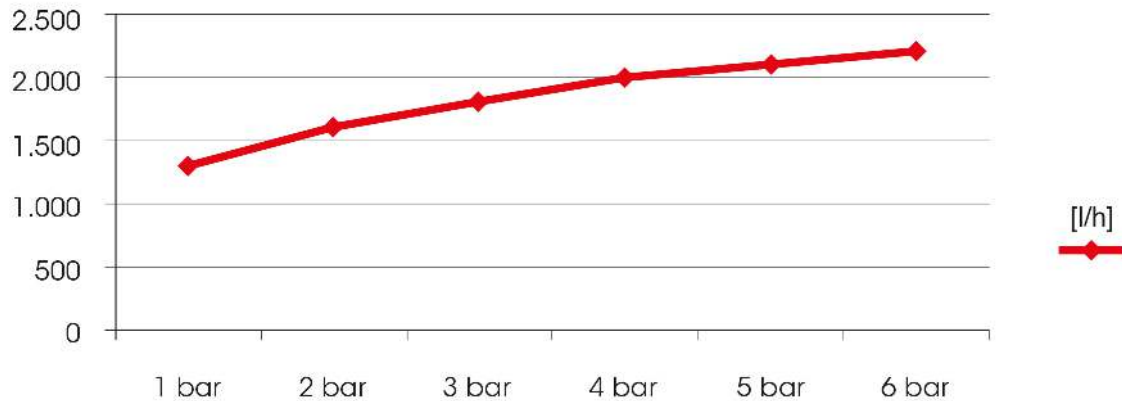
The automatic air vent valves are installed in order to remove the air that accumulates in heating and air conditioning systems. Thanks to their functioning, without need of manual operation, they allow to avoid for certain and permanently harmful phenomena that could compromise the life and the performance of any systems. Especially, it is possible to limit the negative effect of galvanic corrosion (due to extreme presence of oxygen inside the piping) and cavitation. Moreover, these valves allow to optimize the heating and cooling power of each system, since they avoid the formation of air pockets inside radiators and fan-coil units.

Such valves have to be installed in vertical position only, on top of each systems and, generally, where it is the evidence of air pockets' formation (distribution manifolds, riser pipes, etc.)

Under normal operating conditions, it is recommended to leave the cap loose.

The air flow of these valves raises in accordance to the working pressure of a system, up to reach a maximum figure when the pressure raises up to 6 bar.

Here below there is the flow rate chart of these valves, when the system is being filled: as it is possible to read, the chart includes a maximum working pressure of 6 bar, since this figure is higher than an usual working pressure in heating and air-conditioning system (generally they work till 3 bar).





AIR VENT VALVES AND SAFETY VALVES

363 Automatic air-vent valve, side outlet



SIZE	PRESSURE	CODE	PACKING
3/8"	10bar/145psi	3630038	10/70
1/2"	10bar/145psi	3630012	10/70

CERTIFICATIONS



TECHNICAL SPECIFICATIONS

Body in nickel-plated brass.

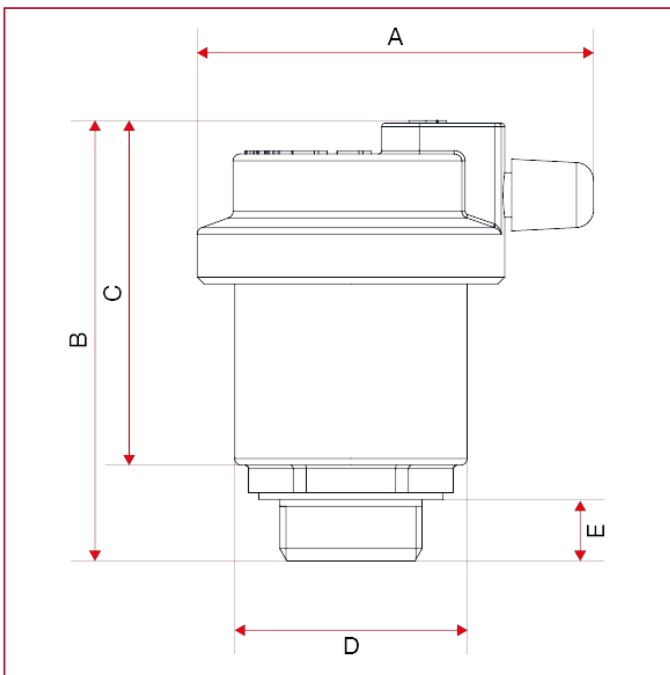
Float in polyethilenic resin.

Maximum working temperature: 110°C.

Maximum discharge pressure: 6 bar.

Threads: ISO 228 (equivalent to DIN EN ISO 228 and BS EN ISO 228).

OVERALL DIMENSIONS

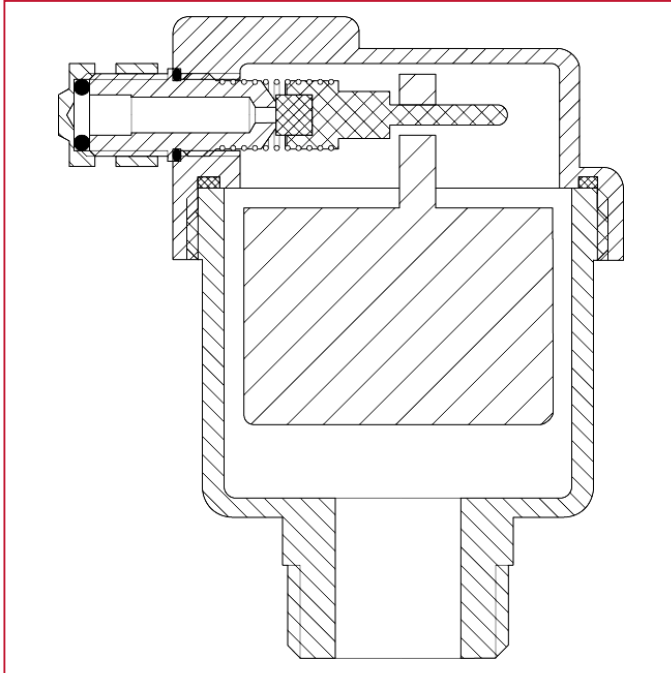




AIR VENT VALVES AND SAFETY VALVES

	3/8"	1/2"
A	58	58
B	64	64
C	50,5	50
D	34	34
E	8,5	9
Kg/cm ² bar	10	10
LBS - psi	145	145

MATERIALS



POS.	DESCRIPTION	N.	MATERIAL
1	Body	-	Brass UNI EN 1982-2000
2	Cap	-	Brass CW617N
3	Float	-	Polyethylene
4	Cap	-	Brass
5	Washer	-	NBR
6	Mechanism	-	Brass
7	Spring	-	Stainless steel
8	Small piston	-	Silicone
9	Lever	-	Acetal resin



AIR VENT VALVES AND SAFETY VALVES

OPERATION AND INSTALLATION:

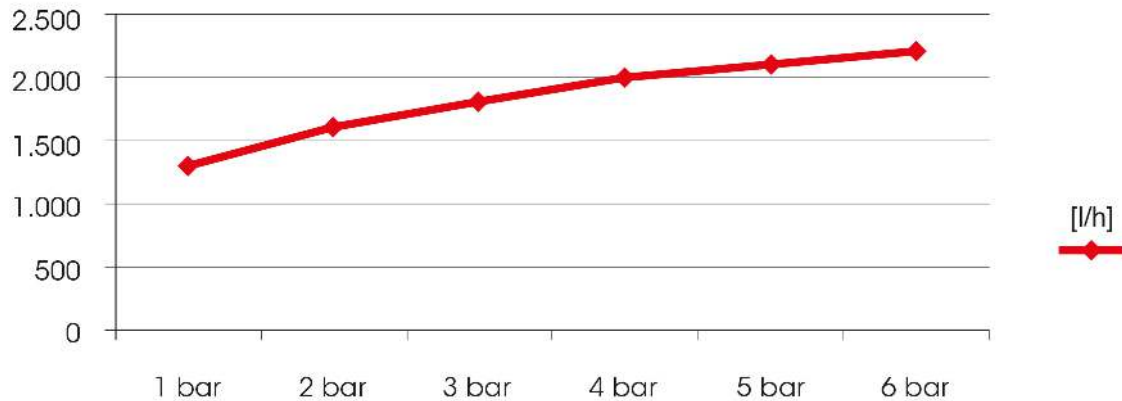
The automatic air vent valves are installed in order to remove the air that accumulates in heating and air conditioning systems. Thanks to their functioning, without need of manual operation, they allow to avoid for certain and permanently harmful phenomena that could compromise the life and the performance of any systems. Especially, it is possible to limit the negative effect of galvanic corrosion (due to extreme presence of oxygen inside the piping) and cavitation. Moreover, these valves allow to optimize the heating and cooling power of each system, since they avoid the formation of air pockets inside radiators and fan-coil units.

Such valves have to be installed in vertical position only, on top of each systems and, generally, where it is the evidence of air pockets' formation (distribution manifolds, riser pipes, etc.)

Under normal operating conditions, it is recommended to leave the cap loose.

The air flow of these valves raises in accordance to the working pressure of a system, up to reach a maximum figure when the pressure raises up to 6 bar.

Here below there is the flow rate chart of these valves, when the system is being filled: as it is possible to read, the chart includes a maximum working pressure of 6 bar, since this figure is higher than an usual working pressure in heating and air-conditioning system (generally they work till 3 bar).





AIR VENT VALVES AND SAFETY VALVES

364 Automatic air-vent valve, side inlet



SIZE	PRESSURE	CODE	PACKING
3/8"	10bar/145psi	3640038	10/70
1/2"	10bar/145psi	3640012	10/70

CERTIFICATIONS



TECHNICAL SPECIFICATIONS

Body in nickel-plated brass.

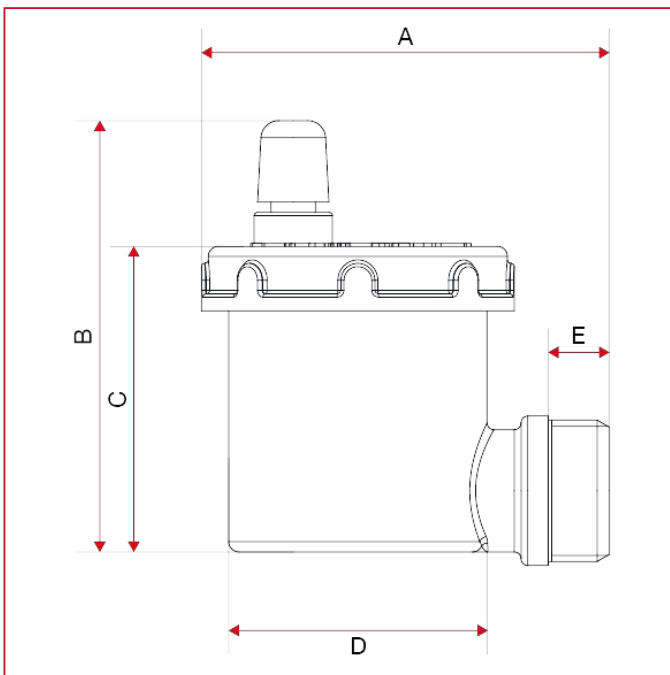
Float in polyethilenic resin.

Maximum working temperature: 110°C.

Maximum discharge pressure: 6 bar.

Threads: ISO 228 (equivalent to DIN EN ISO 228 and BS EN ISO 228).

OVERALL DIMENSIONS

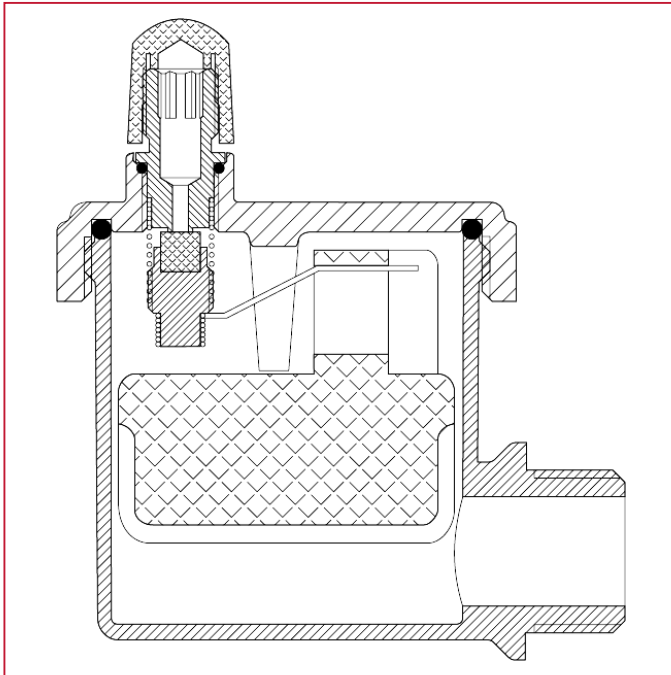




AIR VENT VALVES AND SAFETY VALVES

	3/8"	1/2"
A	60	60
B	63,5	63,5
C	45	45
D	38	38
E	9	9
Kg/cm ² bar	10	10
LBS - psi	145	145

MATERIALS



POS.	DESCRIPTION	N.	MATERIAL
1	Body	-	Brass UNI EN 1982-2000
2	Cap	-	Brass CW617N
3	Float	-	Polyethylene
4	Cap	-	Polyethylene
5	Washer	-	NBR
6	Mechanism	-	Brass
7	Junction	-	Acetal resin
8	Lever	-	Acetal resin
9	Stop	-	Acetal resin



AIR VENT VALVES AND SAFETY VALVES

OPERATION AND INSTALLATION:

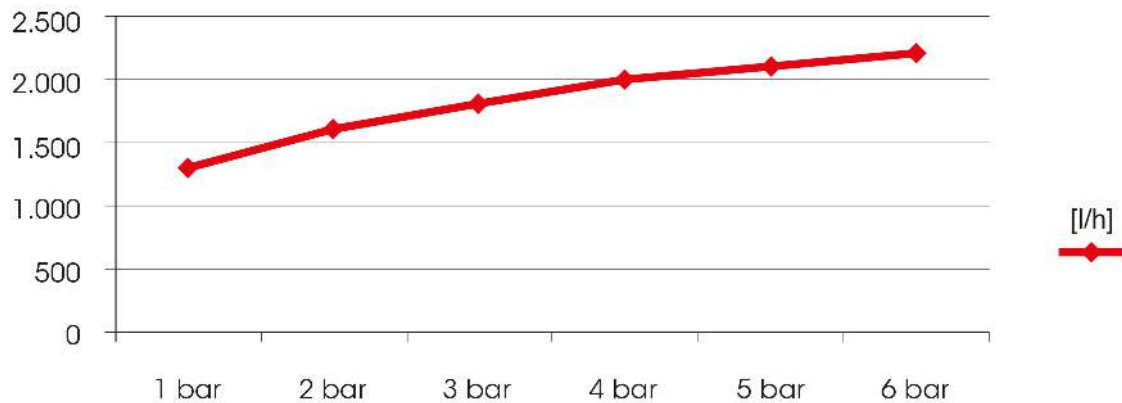
The automatic air vent valves are installed in order to remove the air that accumulates in heating and air conditioning systems. Thanks to their functioning, without need of manual operation, they allow to avoid for certain and permanently harmful phenomena that could compromise the life and the performance of any systems. Especially, it is possible to limit the negative effect of galvanic corrosion (due to extreme presence of oxygen inside the piping) and cavitation. Moreover, these valves allow to optimize the heating and cooling power of each system, since they avoid the formation of air pockets inside radiators and fan-coil units.

Such valves have to be installed in vertical position only, on top of each systems and, generally, where it is the evidence of air pockets' formation (distribution manifolds, riser pipes, etc.)

Under normal operating conditions, it is recommended to leave the cap loose.

The air flow of these valves raises in accordance to the working pressure of a system, up to reach a maximum figure when the pressure raises up to 6 bar.

Here below there is the flow rate chart of these valves, when the system is being filled: as it is possible to read, the chart includes a maximum working pressure of 6 bar, since this figure is higher than an usual working pressure in heating and air-conditioning system (generally they work till 3 bar).





AIR VENT VALVES AND SAFETY VALVES

364R Automatic air-vent valve, side inlet, compact



SIZE	PRESSURE	CODE	PACKING
3/8"	10bar/145psi	3640038R	10/70
1/2"	10bar/145psi	3640012R	10/70

CERTIFICATIONS



TECHNICAL SPECIFICATIONS

Body in nickel-plated brass.

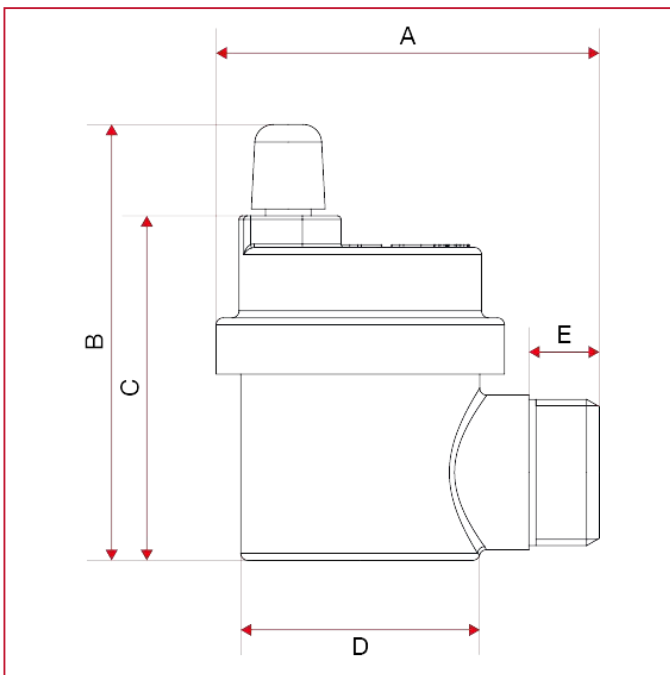
Float in polyethilenic resin.

Maximum working temperature: 110°C.

Maximum discharge pressure: 6 bar.

Threads: ISO 228 (equivalent to DIN EN ISO 228 and BS EN ISO 228).

OVERALL DIMENSIONS

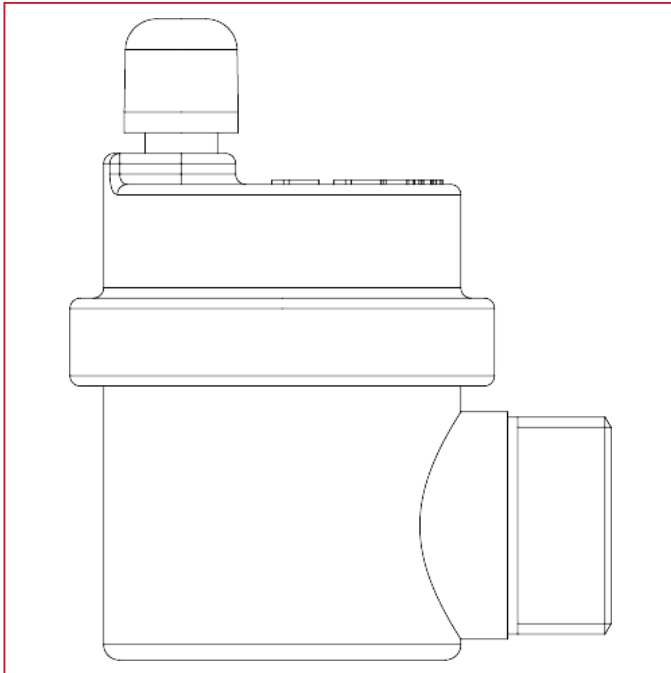




AIR VENT VALVES AND SAFETY VALVES

	3/8"	1/2"
A	54,5	54,5
B	61	62
C	48	49
D	34	34
E	9	10
Kg/cm ² bar	10	10
LBS - psi	145	145

MATERIALS



POS.	DESCRIPTION	N.	MATERIAL
1	Body	-	Brass UNI EN 1982-2000
2	Cap	-	Brass CW617N
3	Float	-	Polyethylene
4	Cap	-	Polyethylene
5	Washer	-	NBR
6	Mechanism	-	Brass
7	Junction	-	Acetal resin
8	Lever	-	Acetal resin
9	Stop	-	Acetal resin



AIR VENT VALVES AND SAFETY VALVES

OPERATION AND INSTALLATION:

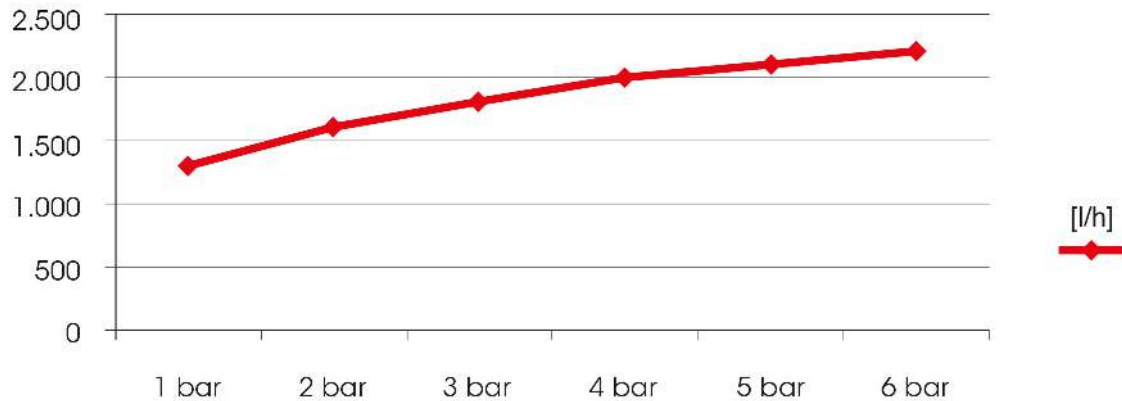
The automatic air vent valves are installed in order to remove the air that accumulates in heating and air conditioning systems. Thanks to their functioning, without need of manual operation, they allow to avoid for certain and permanently harmful phenomena that could compromise the life and the performance of any systems. Especially, it is possible to limit the negative effect of galvanic corrosion (due to extreme presence of oxygen inside the piping) and cavitation. Moreover, these valves allow to optimize the heating and cooling power of each system, since they avoid the formation of air pockets inside radiators and fan-coil units.

Such valves have to be installed in vertical position only, on top of each systems and, generally, where it is the evidence of air pockets' formation (distribution manifolds, riser pipes, etc.)

Under normal operating conditions, it is recommended to leave the cap loose.

The air flow of these valves raises in accordance to the working pressure of a system, up to reach a maximum figure when the pressure raises up to 6 bar.

Here below there is the flow rate chart of these valves, when the system is being filled: as it is possible to read, the chart includes a maximum working pressure of 6 bar, since this figure is higher than an usual working pressure in heating and air-conditioning system (generally they work till 3 bar).





AIR VENT VALVES AND SAFETY VALVES

365 Automatic check valve



SIZE	PRESSURE	CODE	PACKING
3/8"	10bar/145psi	3650038	50/1250
1/2"	10bar/145psi	3650012	50/750

CERTIFICATIONS



TECHNICAL SPECIFICATIONS

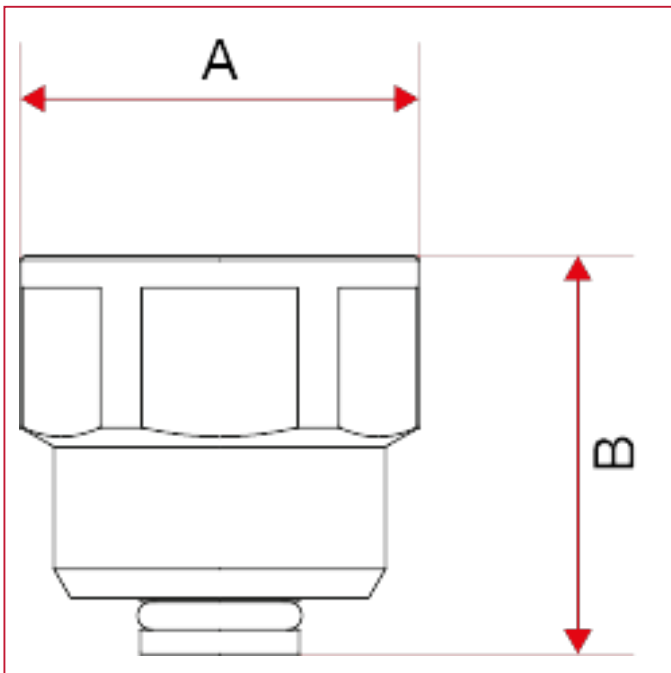
Suitable for the use together with automatic air vent valves art. 362 - 362R - 363 - 364 - 364R.

Body in nickel-plated brass.

Maximum working temperature: 110°C.

Threads: ISO 228 (equivalent to DIN EN ISO 228 and BS EN ISO 228).

OVERALL DIMENSIONS

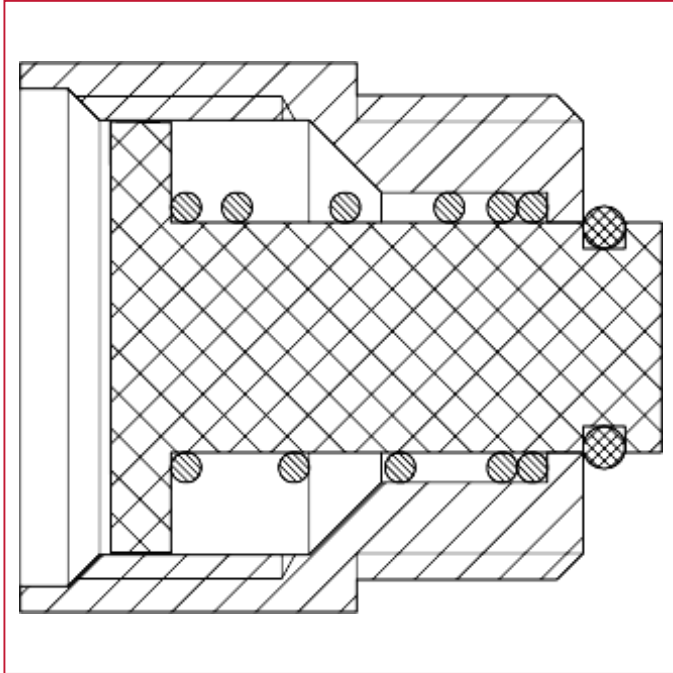




AIR VENT VALVES AND SAFETY VALVES

	3/8"	1/2"
A	21,7	25
B	26,5	25,5
Kg/cm ² bar	10	10
LBS - psi	145	145

MATERIALS



POS.	DESCRIPTION	N.	MATERIAL
1	Body	1	Nickel-plated brass CW614N
2	Shutter	1	Polyamide
3	Spring	1	Stainless steel AISI 302
4	O-ring	1	NBR



AIR VENT VALVES AND SAFETY VALVES

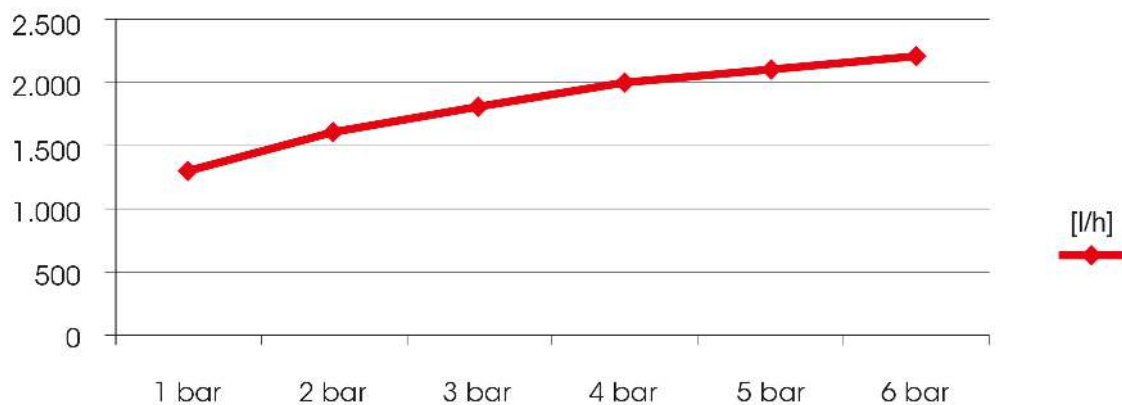
OPERATION AND INSTALLATION:

The automatic air vent valves are installed in order to remove the air that accumulates in heating and air conditioning systems. Thanks to their functioning, without need of manual operation, they allow to avoid for certain and permanently harmful phenomena that could compromise the life and the performance of any systems. Especially, it is possible to limit the negative effect of galvanic corrosion (due to extreme presence of oxygen inside the piping) and cavitation. Moreover, these valves allow to optimize the heating and cooling power of each system, since they avoid the formation of air pockets inside radiators and fan-coil units.

Such valves have to be installed in vertical position only, on top of each systems and, generally, where it is the evidence of air pockets' formation (distribution manifolds, riser pipes, etc.)

The air flow of these valves raises in accordance to the working pressure of a system, up to reach a maximum figure when the pressure raises up to 6 bar.

Here below there is the flow rate chart of these valves, when the system is being filled: as it is possible to read, the chart includes a maximum working pressure of 6 bar, since this figure is higher than an usual working pressure in heating and air-conditioning system (generally they work till 3 bar).





AIR VENT VALVES AND SAFETY VALVES

366 Safety relief valve for boilers



SIZE	PRESSURE	CODE	PACKING
1/2"	10bar/145psi	3660012	25/300

CERTIFICATIONS



TECHNICAL SPECIFICATIONS

Body in nickel-plated brass.

Check and vent spring valve in stainless steel.

Check seat in nylon.

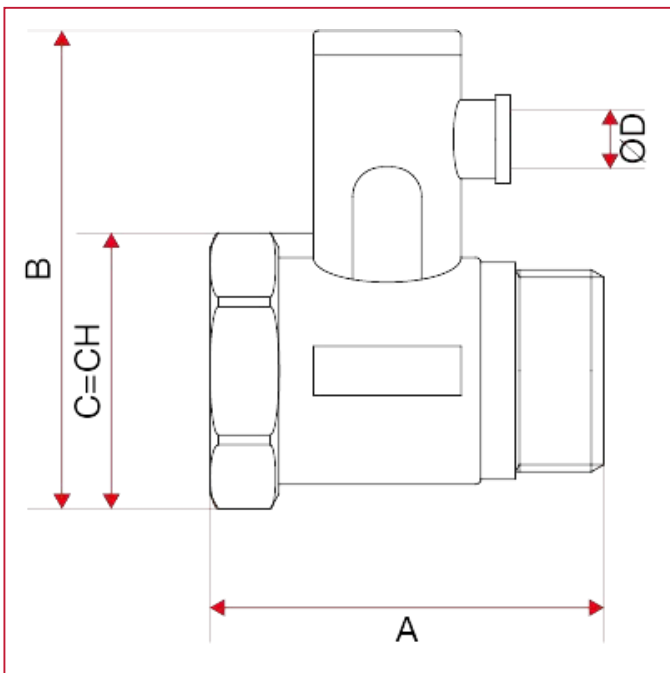
Check and vent seal in NBR.

Maximum working temperature: 120°C.

Opening pressure: 8,5 bar.

Threads: ISO 228 (equivalent to DIN EN ISO 228 and BS EN ISO 228).

OVERALL DIMENSIONS

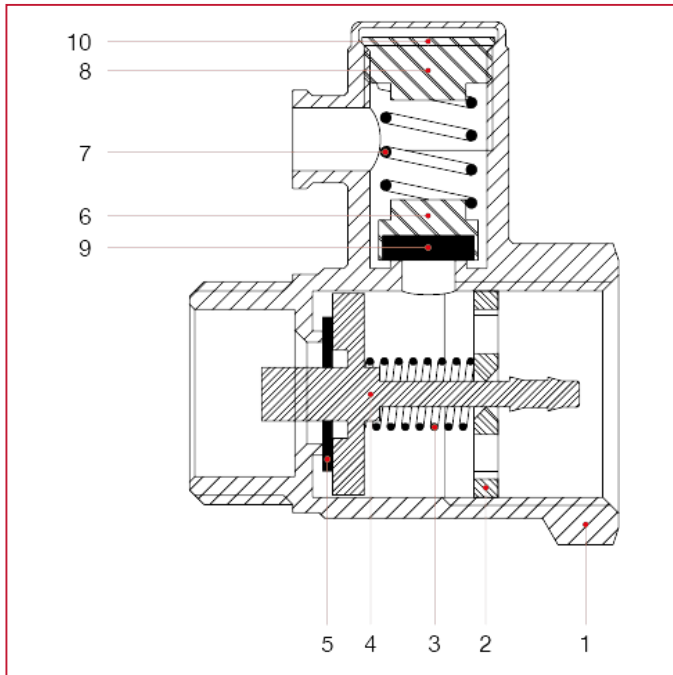




AIR VENT VALVES AND SAFETY VALVES

	1/2"
A	40
B	50
C	25
D	6
Kg/cm ² bar	10
LBS - psi	145

MATERIALS



POS.	DESCRIPTION	N.	MATERIAL
1	Body	1	Brass CW617N
2	Disk for check	1	Nylon
3	Spring for check	1	Stainless steel AISI 302
4	Central Pin	1	Nylon
5	Seat	1	Santoprene
6	Seal holder	1	Nylon
7	Spring	1	Stainless steel AISI 302
8	Threaded cap	1	Nylon
9	Washer	1	EPDM
10	Washer	1	Aluminium



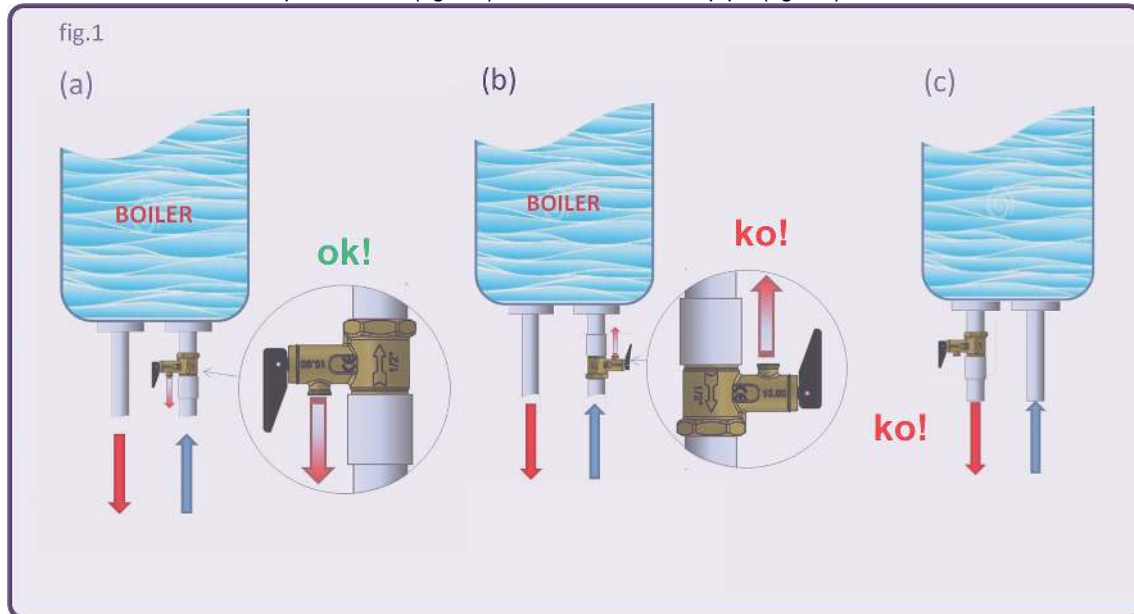
AIR VENT VALVES AND SAFETY VALVES

INSTRUCTIONS

INSTALLATION:

the assembly of the valve must be carried out making sure that impurities and / or debris produced by the processes necessary for installation do not obstruct the passage.

The valve must be mounted on the water heater in a vertical position with the drain facing downwards (fig.1-a), the water must flow in the direction of the arrow indicated on the valve body. Before turning on the water heater it is recommended to activate the lever, when present, so that the water begins to flow out of the drain. Then reposition the lever and turn on the water heater. The valve **MUST NOT** be mounted upside down (fig.1-b) or on the hot water pipe (fig.1-c),



Before turning on the water heater, activate the control lever in the direction indicated by the arrow represented in fig. 1 so that the water begins to flow out of the drain. Then reposition the lever in its original position and turn on the water heater.

MAINTENANCE:

Sometimes the impurities present in the water can deposit on the moving components of the valve thus affecting its correct functioning.

To remedy the problem, act as described:

ATTENTION !! POSSIBLE PRESENCE OF HIGH TEMPERATURE WATER IN THE SYSTEM.

- 1- If a collection pipe is not already prepared for the fluids that come out when the valve is opened, arrange suitable measures to avoid the spillage of fluids on the floor of the room.
- 2- operate the control lever paying attention to possible leaks of hot water.
- 3- rotate the lever, in order to cause the opening of the valve to move the deposits. Otherwise, contact a qualified technician for the check
- 4- Perform the operation once a month or after work has been carried out on the water supply.
- 5- Perform the periodic calibration check. This operation **MUST** be carried out by a qualified technician. The period between one verification and the other is variable depending on the more or less severe operating conditions.

WARNING:

- a) The installation must be done by qualified personnel
- b) The installation must be carried out in a system that complies with current laws
- c) The installation must be performed taking into account the requirements of this manual
- d) Do not tamper with and / or modify the valve
- e) Do not use valves with obvious deformations or imperfections
- f) Do not stress the threads during assembly
- g) Pay attention to hot water that could escape during maintenance operations and cause burns.
- h) We decline all responsibility for damage caused by improper use and / or outside the intended use
- i) Do not expose the valve to open flame



AIR VENT VALVES AND SAFETY VALVES

- j) Do not use in a potentially explosive environment
- k) Do not weld on the valve

DISPOSAL:

The disposal of the valve at the end of its life can be done by referring to the chapter "technical characteristics" under the heading "materials" in the manner prescribed by the laws in force.



AIR VENT VALVES AND SAFETY VALVES

367 Safety relief valve for boilers with lever handle



SIZE	PRESSURE	CODE	PACKING
1/2"	10bar/145psi	3670012	25/225

CERTIFICATIONS



TECHNICAL SPECIFICATIONS

Body in nickel-plated brass.

Check and vent spring valve in stainless steel.

Check seat in nylon.

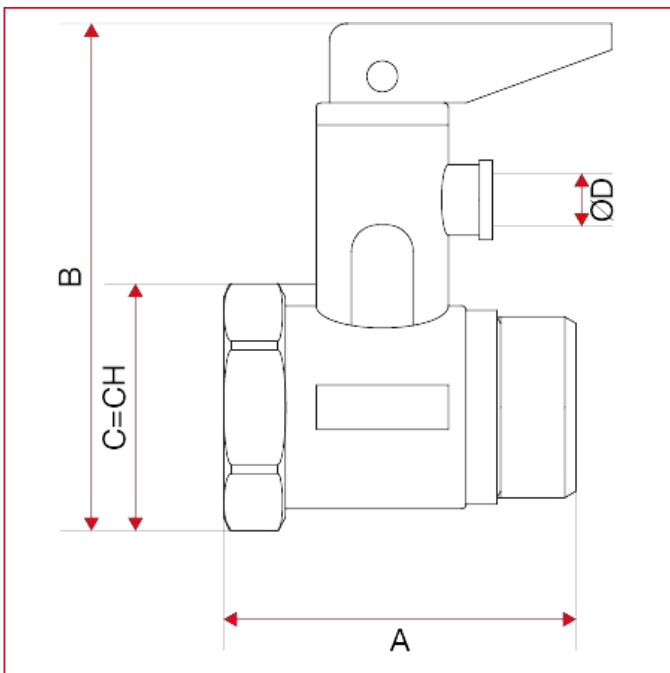
Check and vent seal in NBR.

Maximum working temperature: 120°C.

Opening pressure: 8,5 bar.

Threads: ISO 228 (equivalent to DIN EN ISO 228 and BS EN ISO 228).

OVERALL DIMENSIONS

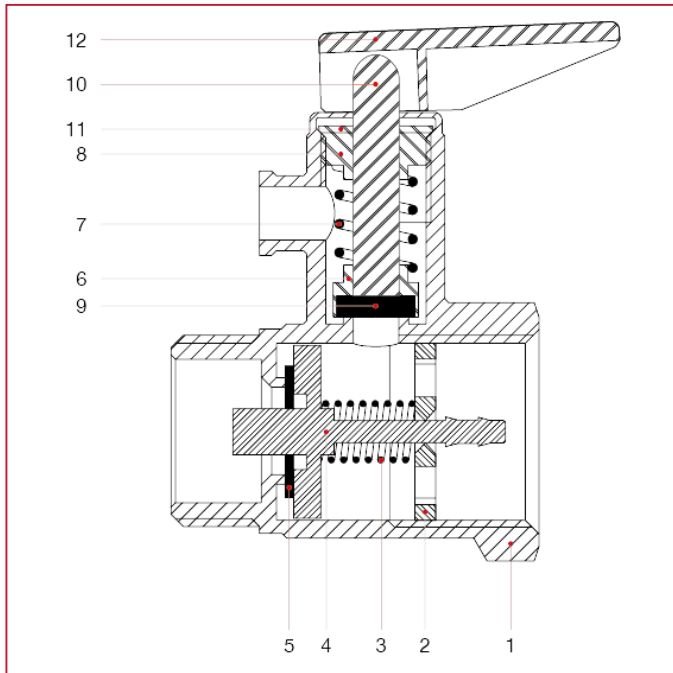




AIR VENT VALVES AND SAFETY VALVES

	1/2"
A	40
B	60
C	25
D	6
Kg/cm ² bar	10
LBS - psi	145

MATERIALS



POS.	DESCRIPTION	N.	MATERIAL
1	Body	1	Brass CW617N
2	Disk for check	1	Nylon
3	Spring for check	1	Stainless steel AISI 302
4	Central Pin	1	Nylon
5	Seat	1	Santoprene
6	Seal holder	1	Nylon
7	Spring	1	Stainless steel AISI 302
8	Threaded cap	1	Nylon
9	Washer	1	EPDM
10	Pin for lever	1	Nylon
11	Washer	1	Aluminium
12	Handle	1	Nylon



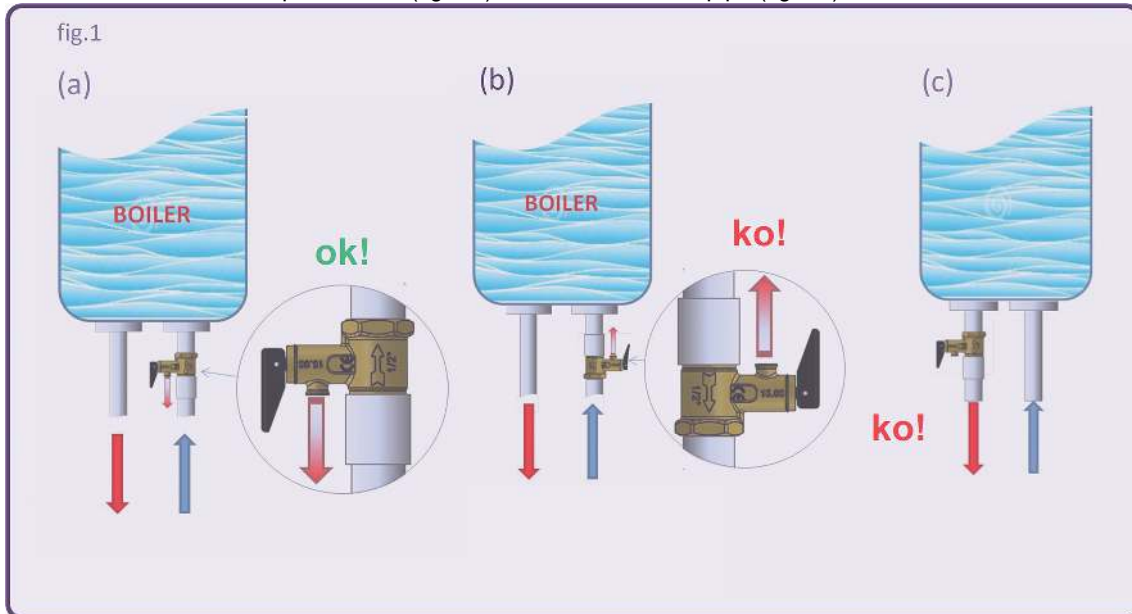
AIR VENT VALVES AND SAFETY VALVES

INSTRUCTIONS

INSTALLATION:

the assembly of the valve must be carried out making sure that impurities and / or debris produced by the processes necessary for installation do not obstruct the passage.

The valve must be mounted on the water heater in a vertical position with the drain facing downwards (fig.1-a), the water must flow in the direction of the arrow indicated on the valve body. Before turning on the water heater it is recommended to activate the lever, when present, so that the water begins to flow out of the drain. Then reposition the lever and turn on the water heater. The valve **MUST NOT** be mounted upside down (fig.1-b) or on the hot water pipe (fig.1-c),



Before turning on the water heater, activate the control lever in the direction indicated by the arrow represented in fig. 1 so that the water begins to flow out of the drain. Then reposition the lever in its original position and turn on the water heater.

MAINTENANCE:

Sometimes the impurities present in the water can deposit on the moving components of the valve thus affecting its correct functioning.

To remedy the problem, act as described:

ATTENTION !! POSSIBLE PRESENCE OF HIGH TEMPERATURE WATER IN THE SYSTEM.

- 1- If a collection pipe is not already prepared for the fluids that come out when the valve is opened, arrange suitable measures to avoid the spillage of fluids on the floor of the room.
- 2- operate the control lever paying attention to possible leaks of hot water.
- 3- rotate the lever, in order to cause the opening of the valve to move the deposits. Otherwise, contact a qualified technician for the check
- 4- Perform the operation once a month or after work has been carried out on the water supply.
- 5- Perform the periodic calibration check. This operation **MUST** be carried out by a qualified technician. The period between one verification and the other is variable depending on the more or less severe operating conditions.

WARNING:

- a) The installation must be done by qualified personnel
- b) The installation must be carried out in a system that complies with current laws
- c) The installation must be performed taking into account the requirements of this manual
- d) Do not tamper with and / or modify the valve
- e) Do not use valves with obvious deformations or imperfections
- f) Do not stress the threads during assembly
- g) Pay attention to hot water that could escape during maintenance operations and cause burns.
- h) We decline all responsibility for damage caused by improper use and / or outside the intended use
- i) Do not expose the valve to open flame



AIR VENT VALVES AND SAFETY VALVES

- j) Do not use in a potentially explosive environment
- k) Do not weld on the valve

DISPOSAL:

The disposal of the valve at the end of its life can be done by referring to the chapter "technical characteristics" under the heading "materials" in the manner prescribed by the laws in force.



AIR VENT VALVES AND SAFETY VALVES

194 Air vent valve



SIZE	PRESSURE	CODE	PACKING
1/8"	10bar/145psi	1940018	50/1300
1/4"	10bar/145psi	1940014	50/1200
3/8"	10bar/145psi	1940038	40/640
1/2"	10bar/145psi	1940012	40/520

CERTIFICATIONS



TECHNICAL SPECIFICATIONS

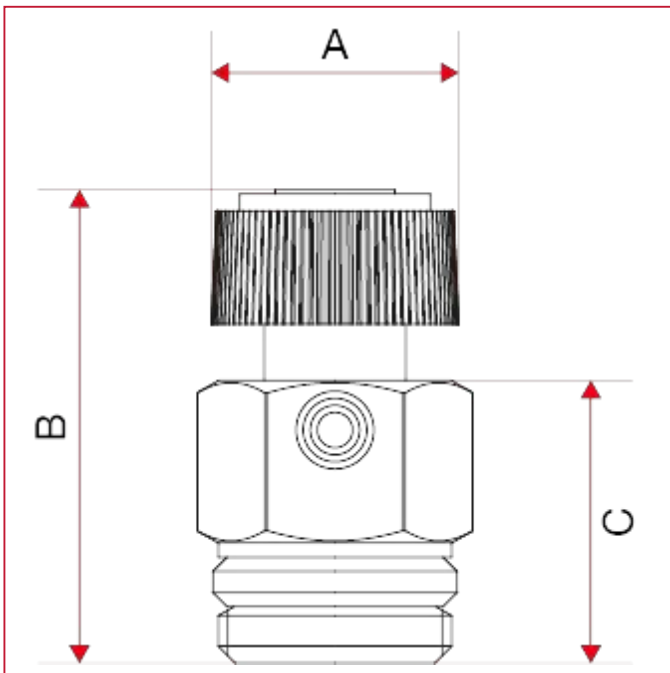
Body in chrome-plated brass.

Handle in acetalic resin.

Maximum working temperature: 90°C.

Threads: ISO228 (equivalent to DIN EN ISO 228 and BS EN ISO 228).

OVERALL DIMENSIONS

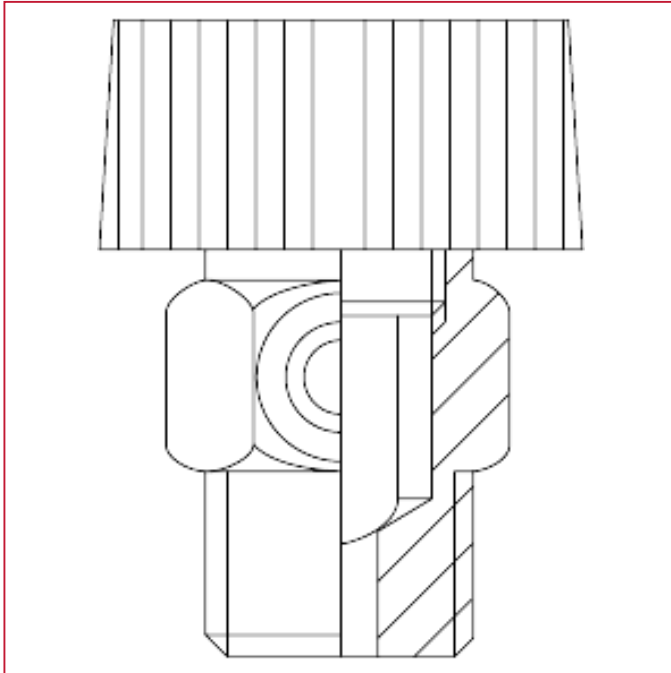




AIR VENT VALVES AND SAFETY VALVES

	1/8"	1/4"	3/8"	1/2"
A	18	18	18	18
B	24 - 26	30 - 32	30 - 32	25 - 27
C	14	20	20	15,5
Kg/cm ² bar	10	10	10	10
LBS - psi	145	145	145	145

MATERIALS size 1/8"

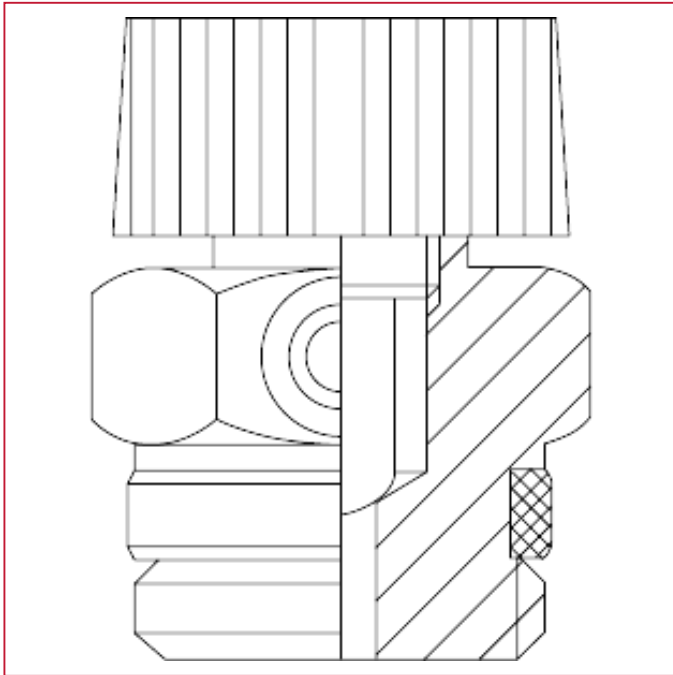


POS.	DESCRIPTION	N.	MATERIAL
1	Handwheel	1	Acetal resin
2	Body	1	Chrome-plated brass CW614N



AIR VENT VALVES AND SAFETY VALVES

MATERIALS sizes 1/4" through 1/2"



POS.	DESCRIPTION	N.	MATERIAL
1	Handwheel	1	Acetal resin
2	Body	1	Chrome-plated brass CW614N
3	Ring	1	P.T.F.E.



AIR VENT VALVES AND SAFETY VALVES

1940 Adjustable nickel-plated air vent valve



SIZE	PRESSURE	CODE	PACKING
1/2"	10bar/145psi	19400120	40/1040

CERTIFICATIONS



TECHNICAL SPECIFICATIONS

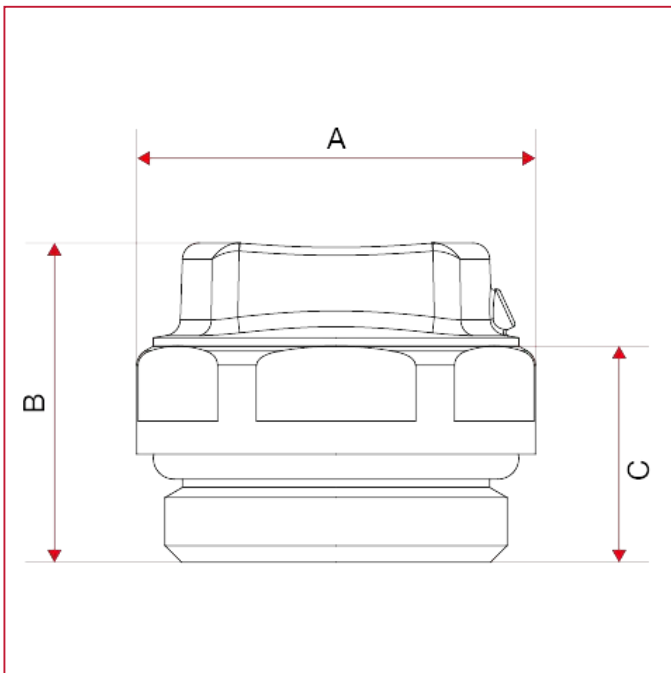
Body in nickel-plated brass.

Handle in nylon.

Maximum working temperature: 110°C.

Threads: ISO228 (equivalent to DIN EN ISO 228 and BS EN ISO 228).

OVERALL DIMENSIONS

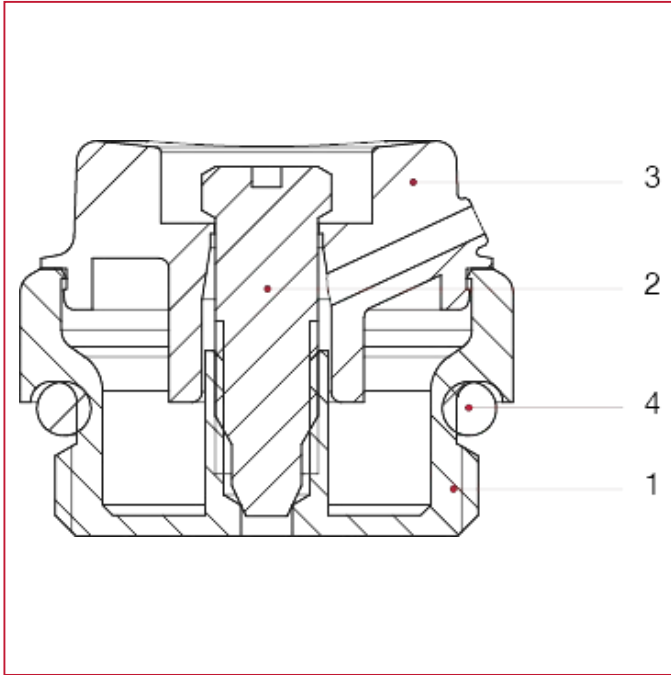




AIR VENT VALVES AND SAFETY VALVES

	1/2"
A	24
B	19,2
C	13
Kg/cm2 bar	10
LBS - psi	145

MATERIALS



POS.	DESCRIPTION	N.	MATERIAL
1	Screw	1	Nickel-plated brass CW614N
2	Cap	1	Nylon PA6
3	Body	1	Nickel-plated brass CW614N
4	O-ring	1	EPDM



AIR VENT VALVES AND SAFETY VALVES

195 Adjustable drain valve



SIZE	PRESSURE	CODE	PACKING
1/4"	6bar/87psi	1950014	50/750
3/8"	6bar/87psi	1950038	50/750

CERTIFICATIONS



TECHNICAL SPECIFICATIONS

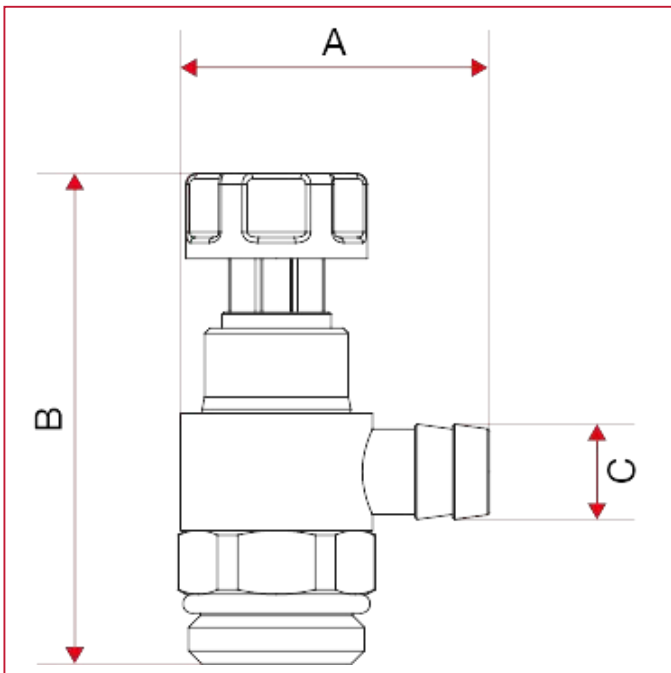
Body in brass.

Revolving drain in acetalic resin.

Maximum working temperature: 90°C.

Threads: ISO228 (equivalent to DIN EN ISO 228 and BS EN ISO 228).

OVERALL DIMENSIONS

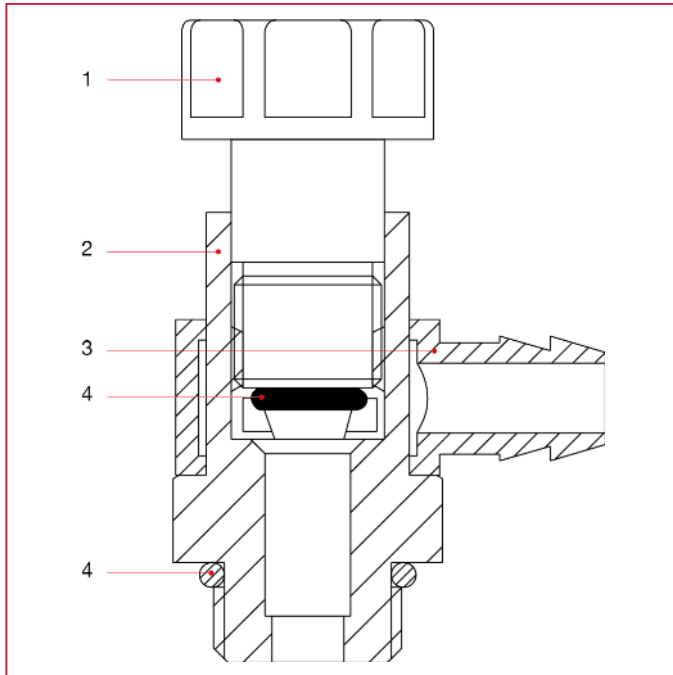




AIR VENT VALVES AND SAFETY VALVES

	1/4"	3/8"
A	29	29
B	46	46
C	9	9
Kg/cm ² bar	6	6
LBS - psi	87	87

MATERIALS



POS.	DESCRIPTION	N.	MATERIAL
1	Handwheel	1	Acetal resin
2	Body	1	Brass CW614N
3	Hose connection	1	Polyethylene
4	Washer	2	NBR



AIR VENT VALVES AND SAFETY VALVES

299 Plug for radiators with air vent valve



SIZE	PRESSURE	CODE	PACKING
1" DX	10bar/145psi	2990100D	10/70
1" SX	10bar/145psi	2990100S	10/70

CERTIFICATIONS



TECHNICAL SPECIFICATIONS

Body in chrome-plated brass.

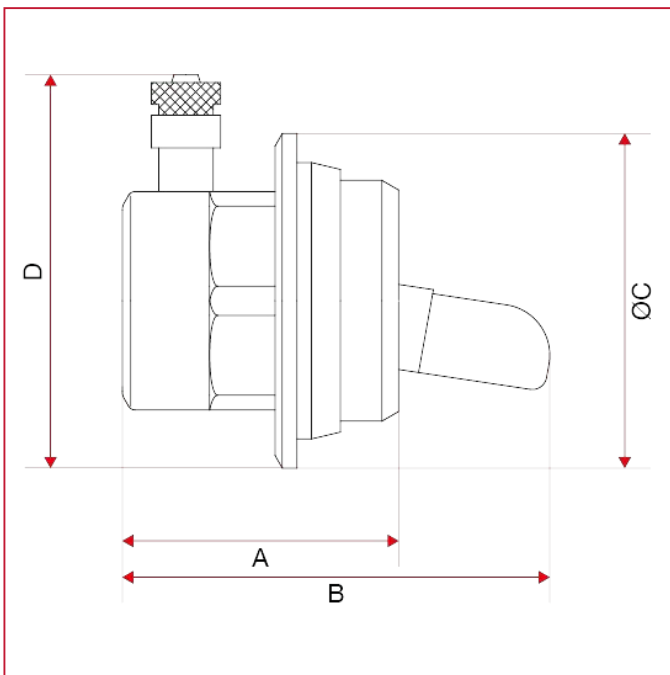
Nominal pressure: 10 bar.

Maximum working temperature: 110°C.

Available sizes: 1" right and 1" left.

Threads: ISO228 (equivalent to DIN EN ISO 228 and BS EN ISO 228).

OVERALL DIMENSIONS

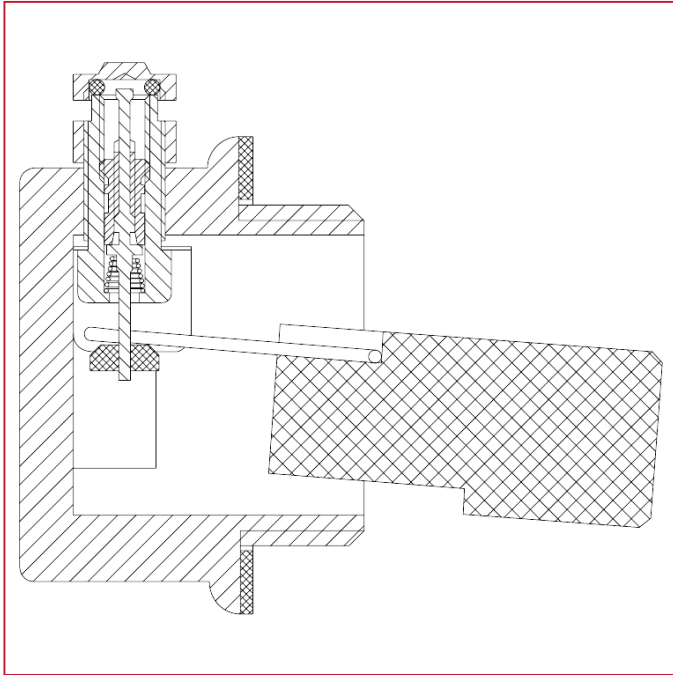




AIR VENT VALVES AND SAFETY VALVES

	1" DX	1" SX
A	33	33
B	59	59
C	46	46
D	53	53
Kg/cm ² bar	10	10
LBS - psi	145	145

MATERIALS



POS.	DESCRIPTION	N.	MATERIAL
1	Body	1	Nickel-plated brass CW617N
2	Float	1	Polyethylene
3	Cap	1	Brass
4	Mechanism	1	Brass
5	Junction	1	Brass
6	Lever	1	Brass
7	Stop	1	Acetal resin
8	Washer	1	EPDM



AIR VENT VALVES AND SAFETY VALVES

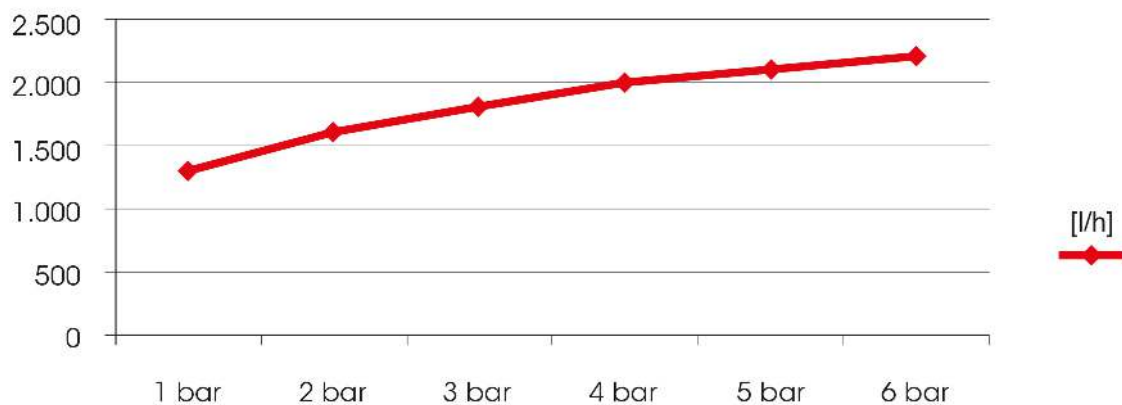
OPERATION AND INSTALLATION:

The automatic air vent valves are installed in order to remove the air that accumulates in heating and air conditioning systems. Thanks to their functioning, without need of manual operation, they allow to avoid for certain and permanently harmful phenomena that could compromise the life and the performance of any systems. Especially, it is possible to limit the negative effect of galvanic corrosion (due to extreme presence of oxygen inside the piping) and cavitation. Moreover, these valves allow to optimize the heating and cooling power of each system, since they avoid the formation of air pockets inside radiators and fan-coil units.

Such valves have to be installed in vertical position only, on top of each systems and, generally, where it is the evidence of air pockets' formation (distribution manifolds, riser pipes, etc.)

The air flow of these valves raises in accordance to the working pressure of a system, up to reach a maximum figure when the pressure raises up to 6 bar.

Here below there is the flow rate chart of these valves, when the system is being filled: as it is possible to read, the chart includes a maximum working pressure of 6 bar, since this figure is higher than an usual working pressure in heating and air-conditioning system (generally they work till 3 bar).





ITAP S.p.A.
Via Ruca 19
25065 Lumezzane
Brescia (ITALY)
Tel 030 8927011
Fax 030 8921990
www.itap.it - info@itap.it

We reserve the right to make improvements and changes to the products described herein and to the relative technical data, at any time and without forewarning.

rev. 20230329