



TECHNICAL CATALOGUE

FITTINGS FOR MULTILAYER, PEX AND POLYBUTYLENE PIPE

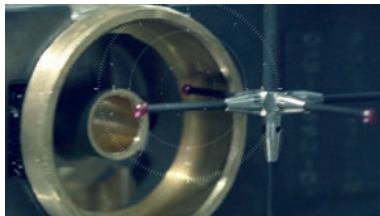
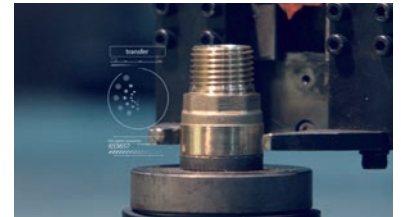
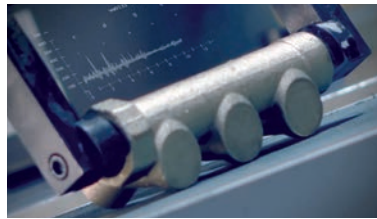
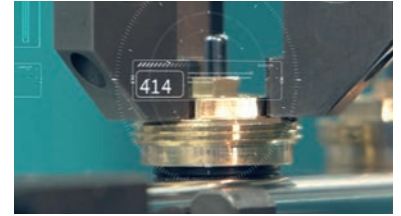
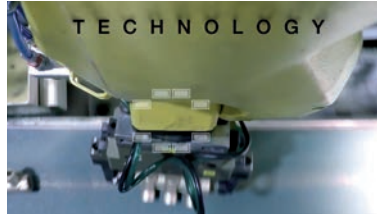


> THE COMPANY

ITAP SpA, founded in Lumezzane (Brescia) in 1972, is currently one of the leading production companies in Italy of **valves, fittings and distribution manifolds** for plumbing and heating systems.

Thanks to fully automated production processes, with 87 transfer machines and 70 assembly lines, we are able to produce 400,000 pieces per day.

Our innate pursuit for innovation and observance of technical regulations is supported by the company certification ISO 9001. The company has always considered its focus on quality as the main tool to obtain significant business results: today ITAP SpA is proud to offer products bearing the approval of numerous international certifying bodies.



> ITAP products have obtained approvals by more than 30 certification bodies from all over the world.





FITTINGS FOR MULTILAYER, PEX AND POLYBUTYLENE PIPE

510 Multi-Fit® fitting for multilayer, PEX and polybutylene pipe

Available size with 1/2" nut

Available size with 3/4" nut EUROKONUS

Available size with 1" nut



510 available size with 1/2" nut

SIZE	CODE	PACKING
14x2	510001214200	20/180
16x2	510001216200	20/180
16x2,25	510001216225	20/180
18x2	510001218200	15/135
20x2	510001220200	15/135
20x2,25	510001220225	15/135
20x2,5	510001220250	15/135

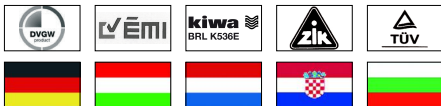
510 available size with 3/4" nut EUROKONUS

SIZE	CODE	PACKING
16x2	510003416200	20/140
18x2	510003418200	15/105
20x2	510003420200	15/105
20x2,25	510003420225	15/105
25x2,5	510003425250	10/70
26x3	510003426300	10/70

510 available size with 1" nut

SIZE	CODE	PACKING
25x2,5	510010025250	10/110
26x3	510010026300	10/110
32x3	510010032300	10/70

CERTIFICATIONS



TECHNICAL SPECIFICATIONS

PATENTED

Nut in nickel-plated brass.

Tail in brass.

Maximum working pressure: 20 bar.

Threads: ISO 228 (equivalent to DIN EN ISO 228 and BS EN ISO 228).

Minimum and maximum working temperature: -20°C, 110°C.

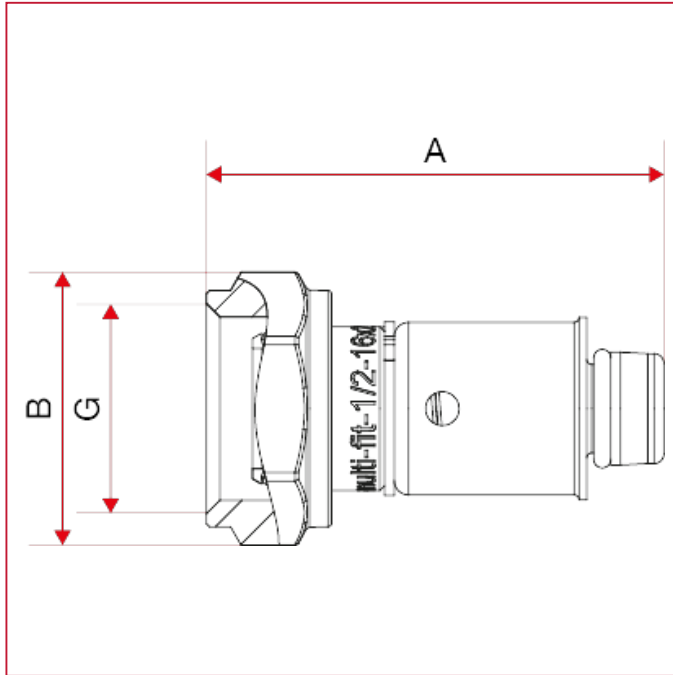
The fittings are supplied with an o-ring for conical seats and a flat washer for flat seats.

KIWA certified fitting only with o-ring for conical seats.



FITTINGS FOR MULTILAYER, PEX AND POLYBUTYLENE PIPE

OVERALL DIMENSIONS



510 available size with 1/2" nut

	14x2	16x2	16x2,25	18x2	20x2	20x2,25	20x2,5
A	28,3	28,3	28,3	28,3	28,3	28,3	28,3
B	46	47,5	47,5	46	46	46	46
G	1/2"	1/2"	1/2"	1/2"	1/2"	1/2"	1/2"
Kg/cm ² bar	20	20	20	20	20	20	20
LBS - psi	290	290	290	290	290	290	290

510 available size with 3/4" nut EUROKONUS

	16x2	18x2	20x2	20x2,25	25x2,5	26x3
A	33	33	33	33	33	33
B	48,5	47	47	47	52	52
G	3/4"	3/4"	3/4"	3/4"	3/4"	3/4"
Kg/cm ² bar	20	20	20	20	20	20
LBS - psi	290	290	290	290	290	290

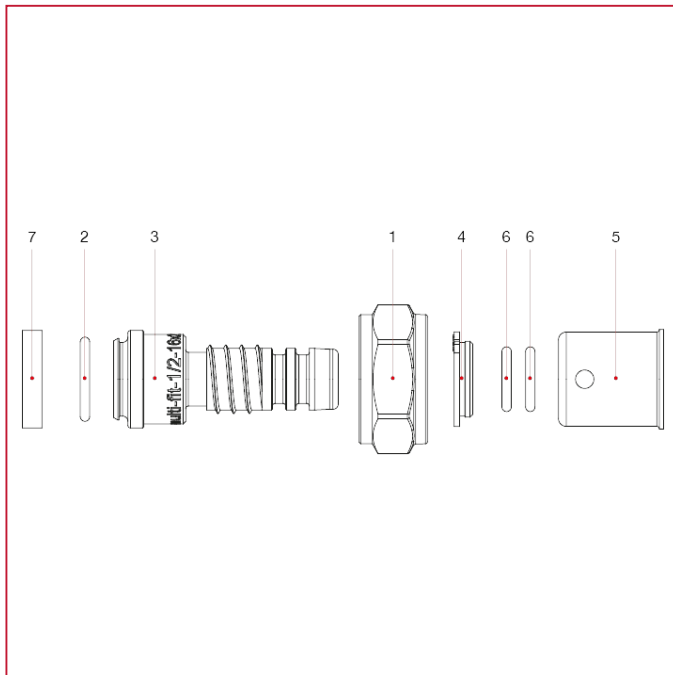
510 available size with 1" nut

	25x2,5	26x3	32x3
A	40,5	40,5	40,5
B	58,5	58,5	63
G	1"	1"	1"
Kg/cm ² bar	20	20	20
LBS - psi	290	290	290



FITTINGS FOR MULTILAYER, PEX AND POLYBUTYLENE PIPE

MATERIALS



POS.	DESCRIPTION	N.	MATERIAL
1	Nut	1	Nickel-plated brass CW617N
2	O-ring	1	EPDM
3	Union	1	Brass PTL CW617N
4	Ring	1	Nylon
5	Outside liner	1	Stainless steel AISI 304
6	O-ring	1	EPDM
7	Washer	1	NBR



FITTINGS FOR MULTILAYER, PEX AND POLYBUTYLENE PIPE

INSTRUCTIONS

multi.fit®

FOUR SIMPLE STEPS FOR A SAFE INSTALLATION

1. Cut the pipe by a pipe cutter.
2. Deburr the inner side of the pipe.
3. Insert the fitting into the pipe.
4. Once the threaded part of the fitting reaches the pipe, screw the tail into the pipe as far as the thread has completely entered the pipe.

THE CONNECTION IS SAFE AND EASILY REVERSIBLE.



ADVANTAGES:

- NO NEED TO REAM THE PIPE
- FIT FOR EVERY KIND OF MULTILAYER PIPE
- THE CONNECTION IS REVERSIBLE
- SUITABLE FOR SANITARY AND HEATING PLANTS
- NO NEED TO PRESS. NO NEED TO TIGHTEN. NO SPECIAL EQUIPMENT IS REQUIRED FOR THE INSTALLATION



The fittings are supplied with an o-ring for conical seats and a flat washer for flat seats.

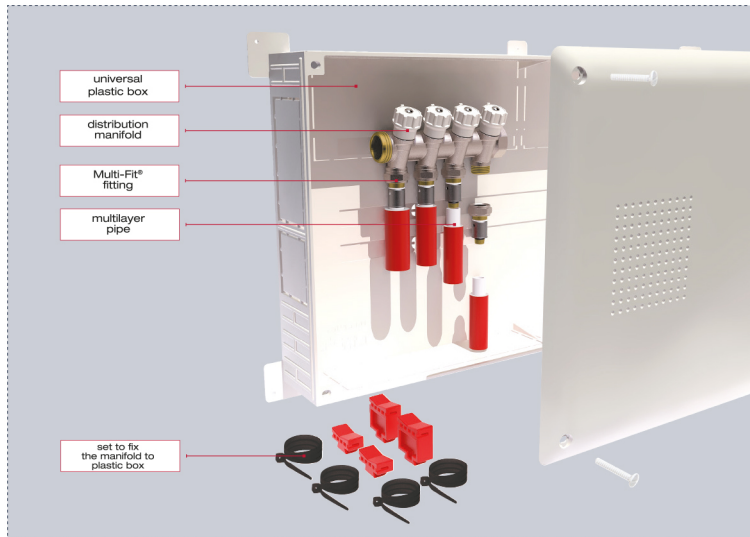
multi.fit®

MANIFOLD WATER DISTRIBUTION SYSTEM

The Multi-fit® system is completed with the installation of the distribution manifold Art. 465 and built-in box Art. 499. This lay-out allows the planning engineer and installer to work in complete safety, also ensuring high quality system standards.



FITTINGS FOR MULTILAYER, PEX AND POLYBUTYLENE PIPE



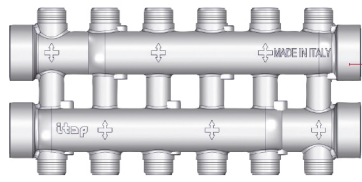
ADVANTAGES:

- NO MORE BUILD-IN TEE AND ELBOW JUNCTIONS
- NO MORE LEAKAGES
- REALLY MAKE THE MOST OF MULTILAYER PIPING FLEXIBILITY AND INSTALLATION SPEED
- IMPROVE THE WATER FLOW
- MAKE REPAIRS EASY AND FAST
- EACH ENDPOINT CONNECTED TO A SINGLE MANIFOLD OUTLET

USE OF THE FITTINGS FOR MULTILAYER, PEX AND POLYBUTYLENE PIPE



FITTINGS FOR MULTILAYER, PEX AND POLYBUTYLENE PIPE



885 DUAL DISTRIBUTION MANIFOLD.
1/2" male outlets, conical seat



850 DISTRIBUTION MANIFOLD
MADE OUT OF BRASS BAR.



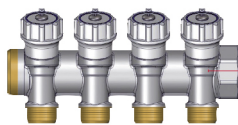
518 MALE/MALE ADAPTER



852 DISTRIBUTION MANIFOLD IN STAINLESS STEEL



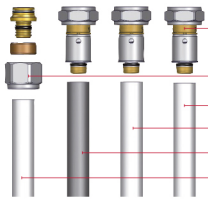
518 MALE/MALE ADAPTER



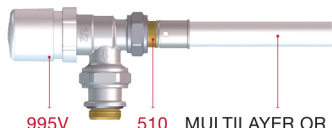
465 DISTRIBUTION MANIFOLD WITH SHUT-OFF VALVES
1/2" male outlets, conical seat



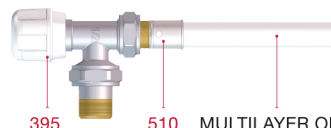
455 DISTRIBUTION MANIFOLD
1/2" male outlets, conical seat



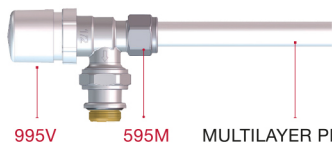
510 **multifit**
595M NUT AND ADAPTER
MULTILAYER PIPE
PEX PIPE
POLYBUTYLENE PIPE
MULTILAYER PIPE



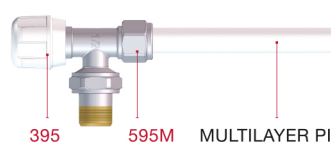
995V 510 MULTILAYER OR PEX PIPE



395 510 MULTILAYER OR PEX PIPE



995V 595M MULTILAYER PIPE



395 595M MULTILAYER PIPE



FITTINGS FOR MULTILAYER, PEX AND POLYBUTYLENE PIPE

595M Nut and adapter for multilayer pipe

Available size with 1/2" nut

Available size with 3/4" nut EUROKONUS



595M available size with 1/2" nut

SIZE	CODE	PACKING
1/2"-14X2	595001214200M	20/200
1/2"-16X2	595001216200MI	20/200
1/2"-16X2,25	595001216225M	20/300

595M available size with 3/4" nut EUROKONUS

SIZE	CODE	PACKING
3/4"-16X2	595003416200MI	20/200
3/4"-18X2	595003418200M	20/300
3/4"-20X2	595003420200MI	20/200

CERTIFICATIONS



TECHNICAL SPECIFICATIONS

Minimum and maximum working temperature: -20°C, 110°C.

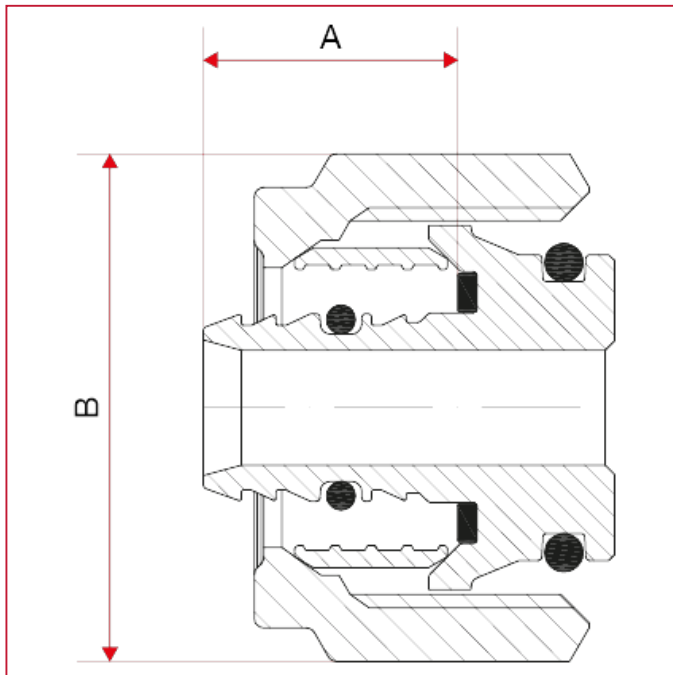
Maximum working pressure: 10 bar.

1/2" male thread suitable for conical seats with an inner diameter of 16mm.



FITTINGS FOR MULTILAYER, PEX AND POLYBUTYLENE PIPE

OVERALL DIMENSIONS



595M available size with 1/2" nut

	1/2"-14X 2	1/2"-16X 2	1/2"-16X 2,25
A	13,3	13	13
B	Es, Ch, 24	Es, Ch, 24	Es, Ch, 24

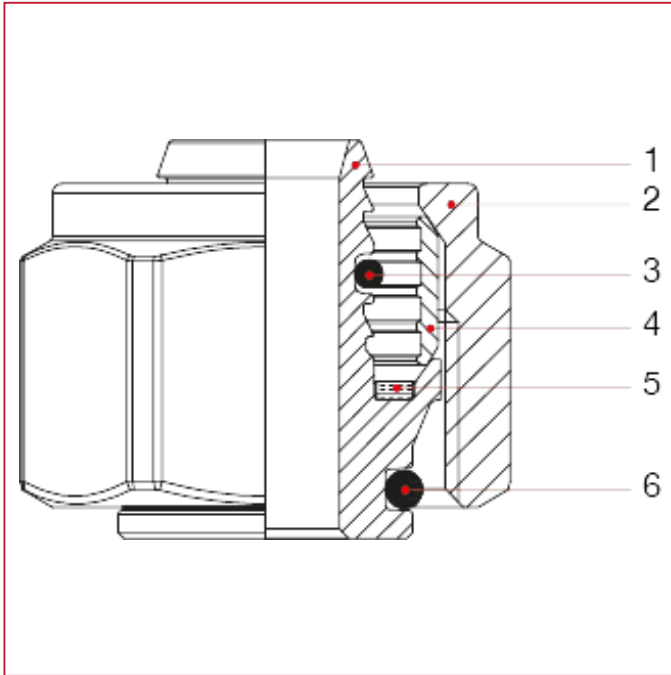
595M available size with 3/4" nut EUROKONUS

	3/4"-16X 2	3/4"-18X 2	3/4"-20X 2
A	14	14	14
B	Es, Ch, 26	Es, Ch, 26	Es, Ch, 26



FITTINGS FOR MULTILAYER, PEX AND POLYBUTYLENE PIPE

MATERIALS

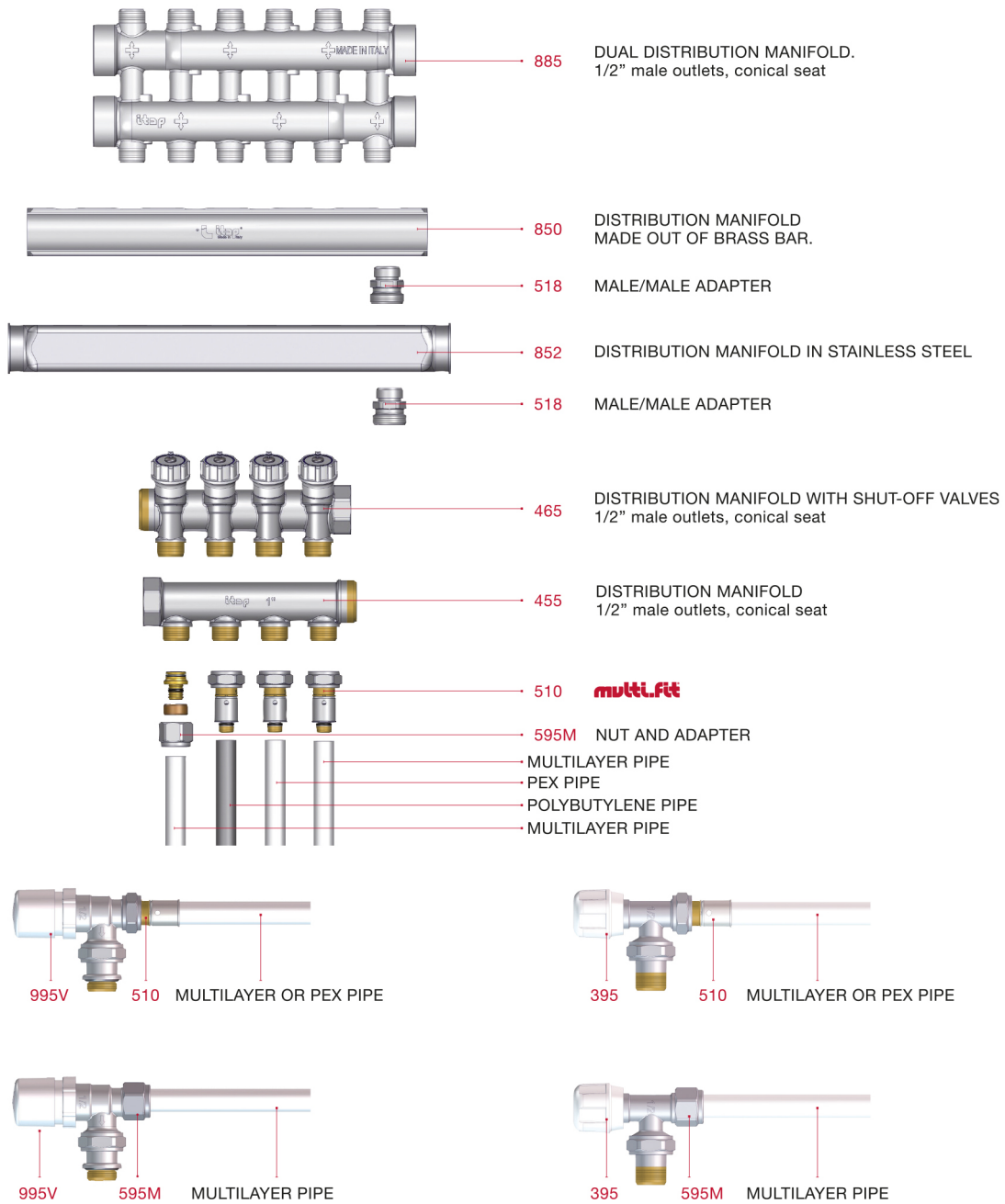


POS.	DESCRIPTION	N.	MATERIAL
1	Union	1	Brass CW614N
2	Nut	1	Nickel-plated brass CW617N
3	O-ring	1	EPDM
4	Ring	1	Brass CW614N
5	Washer	1	PE
6	O-ring	1	EPDM



FITTINGS FOR MULTILAYER, PEX AND POLYBUTYLENE PIPE

USE OF THE FITTINGS FOR MULTILAYER, PEX AND POLYBUTYLENE PIPE





FITTINGS FOR MULTILAYER, PEX AND POLYBUTYLENE PIPE

595P Nut and adapter for PEX pipe

Available size with 3/4" nut EUROKONUS



595P available size with 3/4" nut EUROKONUS

SIZE	CODE	PACKING
3/4" - 16X1,5	595003416150P	20/300
3/4" - 16X1,8	595003416180P	20/120
3/4" - 16X2	595003416200P	20/300
3/4" - 17X2	595003417200P	20/300
3/4" - 20X1,9	595003420190P	25/150
3/4" - 20X2	595003420200P	20/300

CERTIFICATIONS

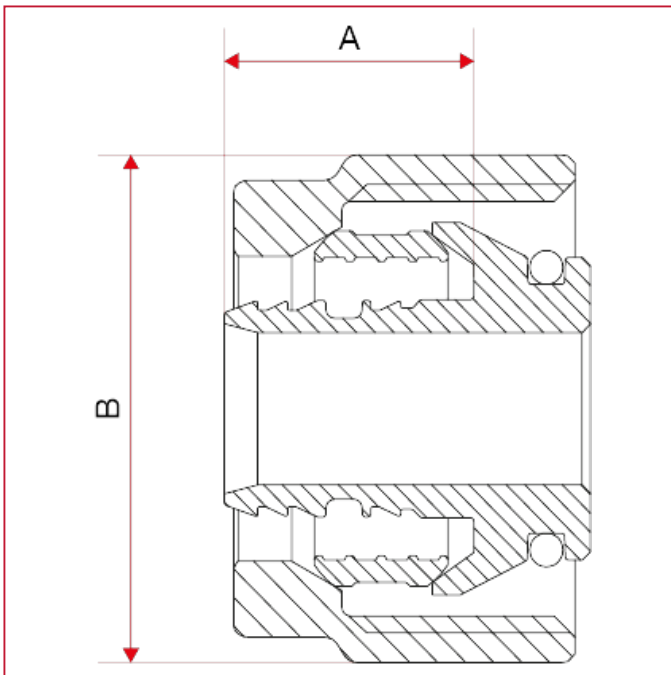


TECHNICAL SPECIFICATIONS

Minimum and maximum working temperature: -20°C, 110°C.

Maximum working pressure: 10 bar.

OVERALL DIMENSIONS



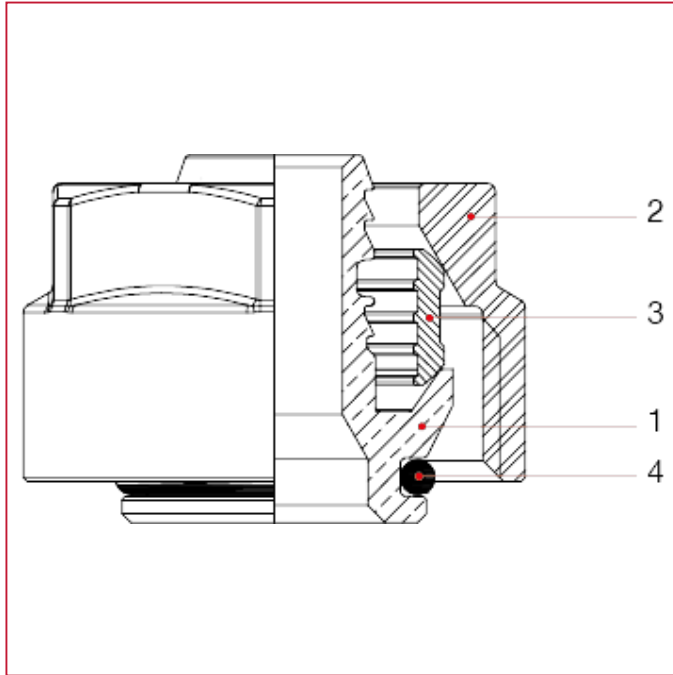


FITTINGS FOR MULTILAYER, PEX AND POLYBUTYLENE PIPE

595P available size with 3/4" nut EUROKONUS

	3/4" - 16X1,5	3/4" - 16X1,8	3/4" - 16X2	3/4"-17X 2	3/4" - 20X1,9	3/4" - 20X2
A	15	17,5	15	15	16,7	15
B	Es, Ch, 26	Es, Ch, 30	Es, Ch, 26	Es, Ch, 26	Es, Ch, 30	Es, Ch, 26

MATERIALS

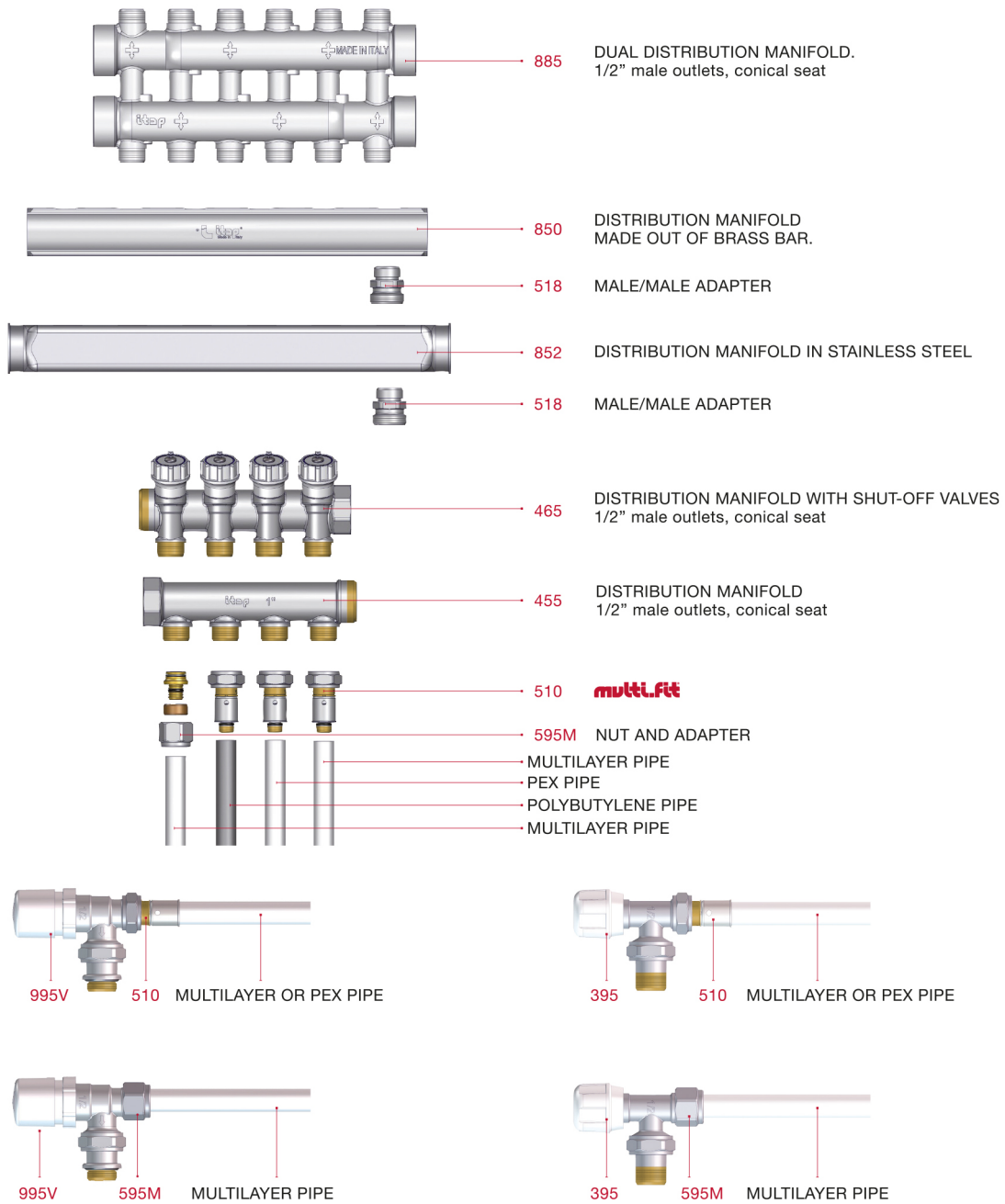


POS.	DESCRIPTION	N.	MATERIAL
1	Union	1	Brass CW614N
2	Nut	1	Nickel-plated brass CW617N
3	Ring	1	Brass CW614N
4	O-ring	1	EPDM



FITTINGS FOR MULTILAYER, PEX AND POLYBUTYLENE PIPE

USE OF THE FITTINGS FOR MULTILAYER, PEX AND POLYBUTYLENE PIPE





FITTINGS FOR MULTILAYER, PEX AND POLYBUTYLENE PIPE

509 Straight female connector

Available sizes: 1/2"x1/2", 1/2"Mx3/4"F, 3/4"x3/4" eurokonus



509 available sizes: 1/2"x1/2", 1/2"Mx3/4"F, 3/4"x3/4" eurokonus

SIZE	CODE	PACKING
1/2"x1/2"	5090012012	20/520
1/2"x3/4"	5090012034	15/390
3/4"x3/4"	5090034034	12/312

CERTIFICATIONS



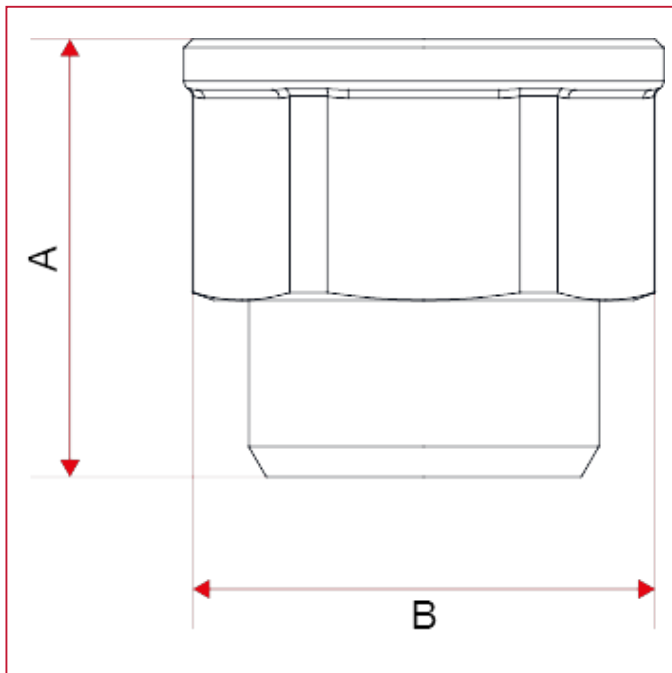
TECHNICAL SPECIFICATIONS

Male thread 1/2" equipped with a conical seat and inner diameter mm.16.

Male thread 3/4" eurokonus.

Maximum working pressure: 20 bar.

OVERALL DIMENSIONS



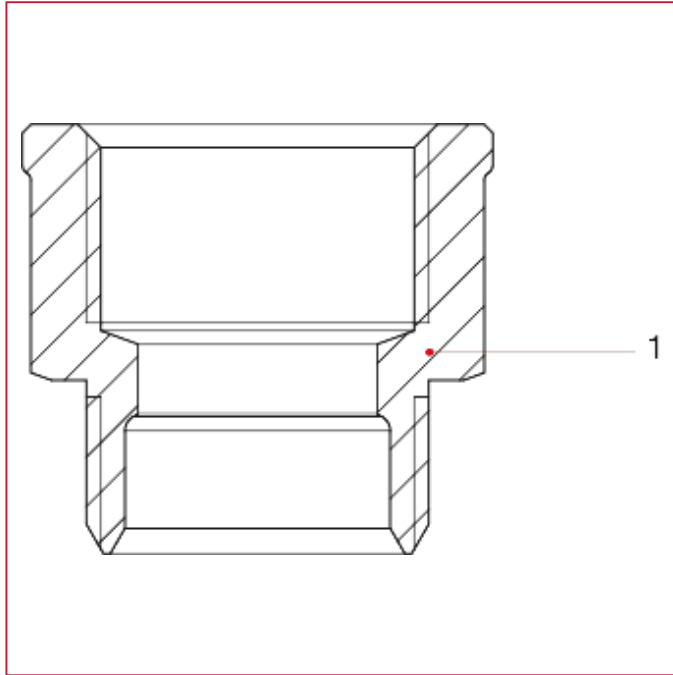


FITTINGS FOR MULTILAYER, PEX AND POLYBUTYLENE PIPE

509 available sizes: 1/2"x1/2", 1/2"Mx3/4"F, 3/4"x3/4" eurokonus

	1/2"x1/2"	1/2"x3/4"	3/4"x3/4"
A	26	28	30
B	27,5	33	33
Kg/cm2 bar	20	20	20
LBS - psi	290	290	290

MATERIALS



POS.	DESCRIPTION	N.	MATERIAL
1	Fitting	1	Nickel-plated brass CW617N



FITTINGS FOR MULTILAYER, PEX AND POLYBUTYLENE PIPE

515 Straight male connector

Available sizes: 1/2"x1/2", 1/2"x3/4"eurokonus, 3/4"x3/4" eurokonus, 1"x1"



515 available sizes: 1/2"x1/2", 1/2"x3/4"eurokonus, 3/4"x3/4" eurokonus, 1"x1"

SIZE	CODE	PACKING
1/2"x1/2"	5150012012	30/660
1/2"x3/4"	5150012034	20/440
3/4"x3/4"	5150034034	20/300
1" x 1"	5150100100	8/208

CERTIFICATIONS



TECHNICAL SPECIFICATIONS

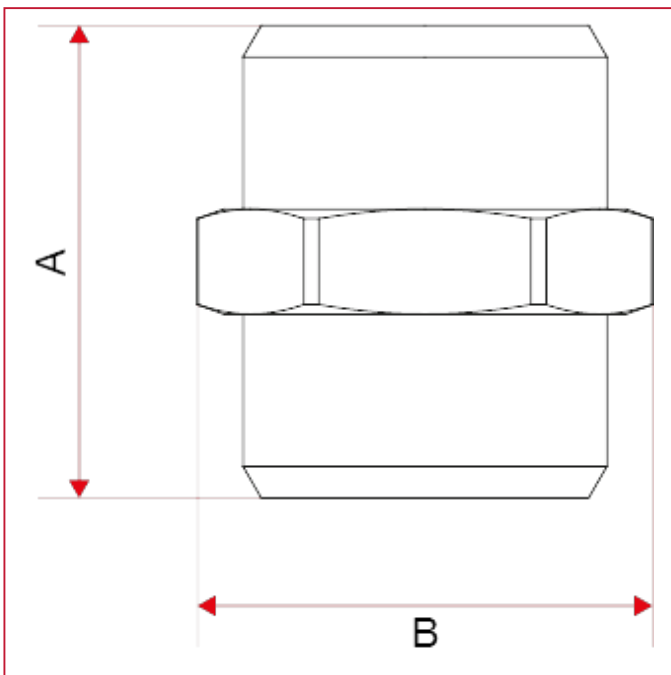
Male thread 1/2" equipped with a conical seat and inner diameter mm.16.

Male thread 3/4" eurokonus.

Male thread 1" equipped with a conical seat and inner diameter mm.22.

Maximum working pressure: 20 bar.

OVERALL DIMENSIONS



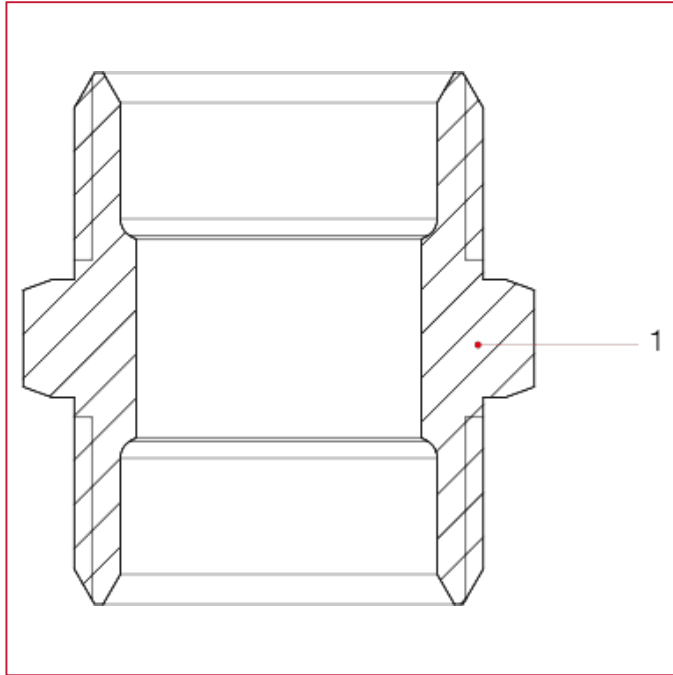


FITTINGS FOR MULTILAYER, PEX AND POLYBUTYLENE PIPE

515 available sizes: 1/2"x1/2", 1/2"x3/4" eurokonus, 3/4"x3/4" eurokonus, 1"x1"

	1/2"x1/2"	1/2"x3/4"	3/4"x3/4"	1" x 1"
A	27	30	32	37
B	26	29	29	37
Kg/cm2 bar	20	20	20	20
LBS - psi	290	290	290	290

MATERIALS



POS.	DESCRIPTION	N.	MATERIAL
1	Fitting	1	Brass PTL CW617N



FITTINGS FOR MULTILAYER, PEX AND POLYBUTYLENE PIPE

530 Equal T coupling

Available sizes: 1/2"x1/2"x1/2", 3/4"x3/4"x3/4" eurokonus, 1"x1"x1"



530 available sizes: 1/2"x1/2"x1/2", 3/4"x3/4"x3/4" eurokonus, 1"x1"x1"

SIZE	CODE	PACKING
1/2"	5300012012	16/240
3/4"	5300034034	8/120
1"	5300100100	6/90

CERTIFICATIONS



TECHNICAL SPECIFICATIONS

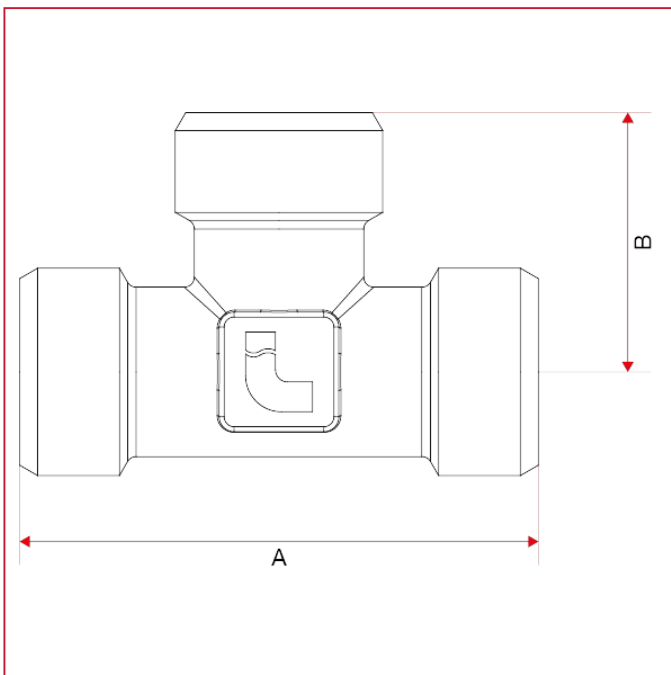
Male thread 1/2" equipped with a conical seat and inner diameter mm.16.

Male thread 3/4" eurokonus.

Male thread 1" equipped with a conical seat and inner diameter mm.22.

Maximum working pressure: 20 bar.

OVERALL DIMENSIONS



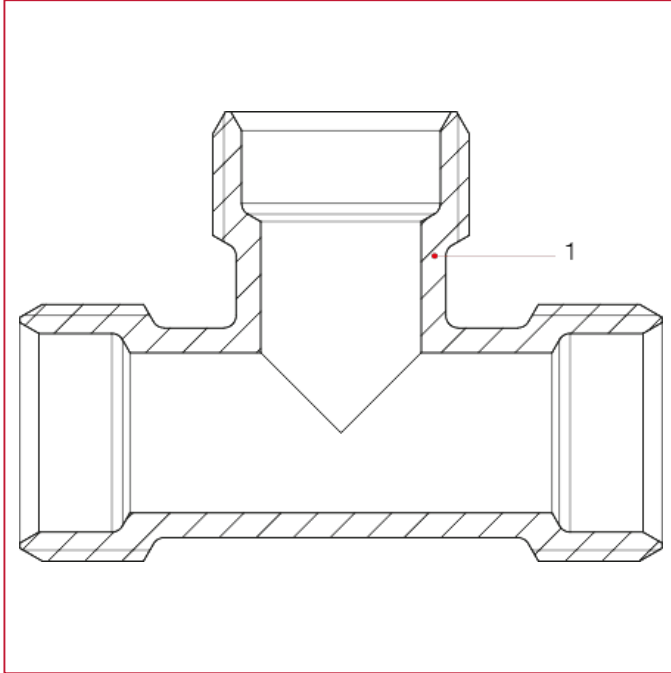


FITTINGS FOR MULTILAYER, PEX AND POLYBUTYLENE PIPE

530 available sizes: 1/2"x1/2"x1/2", 3/4"x3/4"x3/4" eurokonus, 1"x1"x1"

	1/2"	3/4"	1"
A	52	64	68
B	26	32	34
Kg/cm2 bar	20	20	20
LBS - psi	290	290	290

MATERIALS



POS.	DESCRIPTION	N.	MATERIAL
1	Fitting	1	Nickel-plated brass CW617N



FITTINGS FOR MULTILAYER, PEX AND POLYBUTYLENE PIPE

535 Female branch T coupling

Available sizes: 1/2"x1/2"x1/2", 3/4"x3/4"x3/4" eurokonus



535 available sizes: 1/2"x1/2"x1/2", 3/4"x3/4"x3/4" eurokonus

SIZE	CODE	PACKING
1/2"	5350012012	14/210
3/4"	5350034034	8/120

CERTIFICATIONS



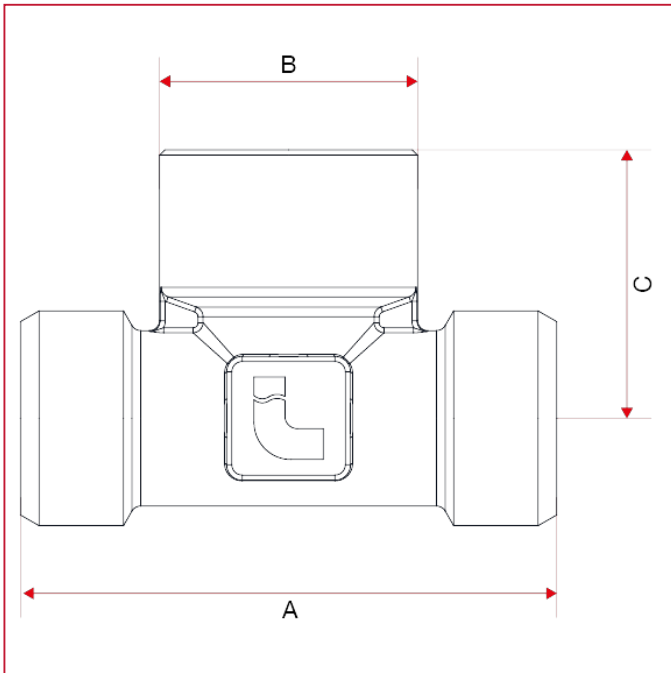
TECHNICAL SPECIFICATIONS

Male thread 1/2" equipped with a conical seat and inner diameter mm.16.

Male thread 3/4" eurokonus.

Maximum working pressure: 20 bar.

OVERALL DIMENSIONS



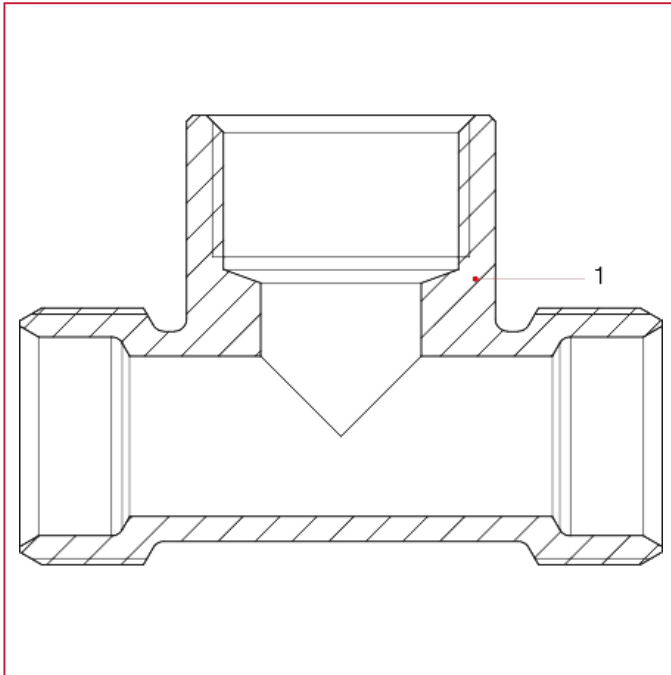


FITTINGS FOR MULTILAYER, PEX AND POLYBUTYLENE PIPE

535 available sizes: 1/2"x1/2"x1/2", 3/4"x3/4"x3/4" eurokonus

	1/2"	3/4"
A	52	64
B	26	31
C	25	32
Kg/cm2 bar	20	20
LBS - psi	290	290

MATERIALS



POS.	DESCRIPTION	N.	MATERIAL
1	Fitting	1	Nickel-plated brass CW617N



FITTINGS FOR MULTILAYER, PEX AND POLYBUTYLENE PIPE

540 Male elbow

Available sizes: 1/2"x1/2", 1/2"x3/4"eurokonus, 3/4"x3/4" eurokonus, 1"x1"



540 available sizes: 1/2"x1/2", 1/2"x3/4"eurokonus, 3/4"x3/4" eurokonus, 1"x1"

SIZE	CODE	PACKING
1/2"x1/2"	5400012012	18/396
1/2"x3/4"	5400012034	13/286
3/4"x3/4"	5400034034	10/220
1"x1"	5400100100	8/120

CERTIFICATIONS



TECHNICAL SPECIFICATIONS

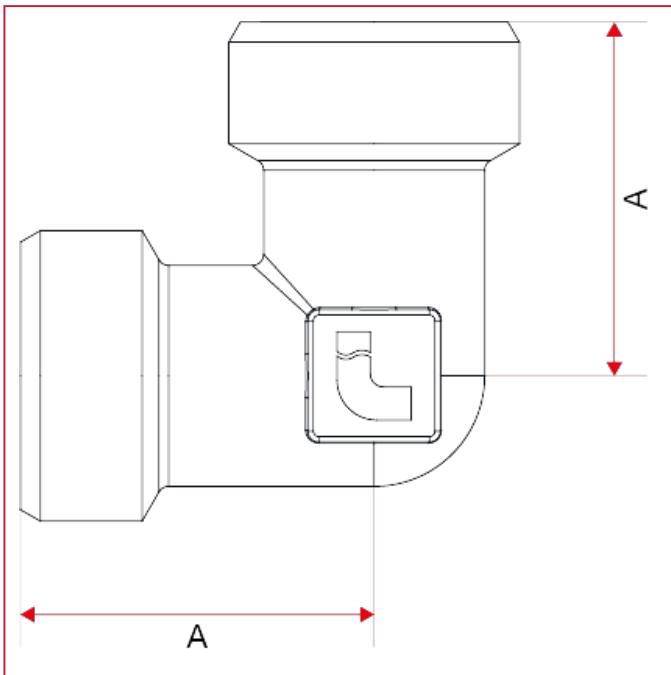
Male thread 1/2" equipped with a conical seat and inner diameter mm.16.

Male thread 3/4" eurokonus.

Male thread 1" equipped with a conical seat and inner diameter mm.22.

Maximum working pressure: 20 bar.

OVERALL DIMENSIONS



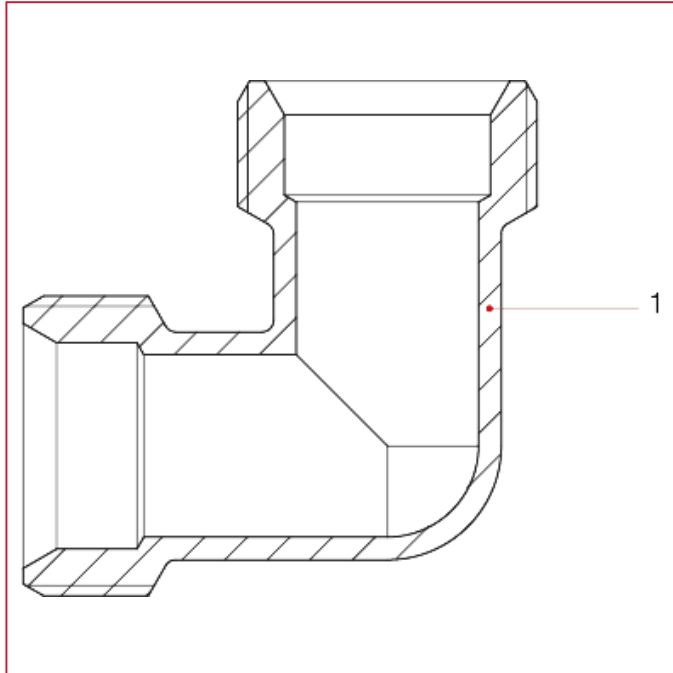


FITTINGS FOR MULTILAYER, PEX AND POLYBUTYLENE PIPE

540 available sizes: 1/2"x1/2", 1/2"x3/4" eurokonus, 3/4"x3/4" eurokonus, 1"x1"

	1/2"x1/2"	1/2"x3/4"	3/4"x3/4"	1"x1"
A	26	30	32	34
Kg/cm2 bar	20	20	20	20
LBS - psi	290	290	290	290

MATERIALS



POS.	DESCRIPTION	N.	MATERIAL
1	Fitting	1	Nickel-plated brass CW617N



FITTINGS FOR MULTILAYER, PEX AND POLYBUTYLENE PIPE

545 Female elbow

Available sizes: 1/2"x1/2", 1/2"Mx3/4"F, 3/4"x3/4" eurokonus



545 available sizes: 1/2"x1/2", 1/2"Mx3/4"F, 3/4"x3/4" eurokonus

SIZE	CODE	PACKING
1/2"x1/2"	5450012012	14/308
1/2"x3/4"	5450012034	8/176
3/4"x3/4"	5450034034	8/176

CERTIFICATIONS



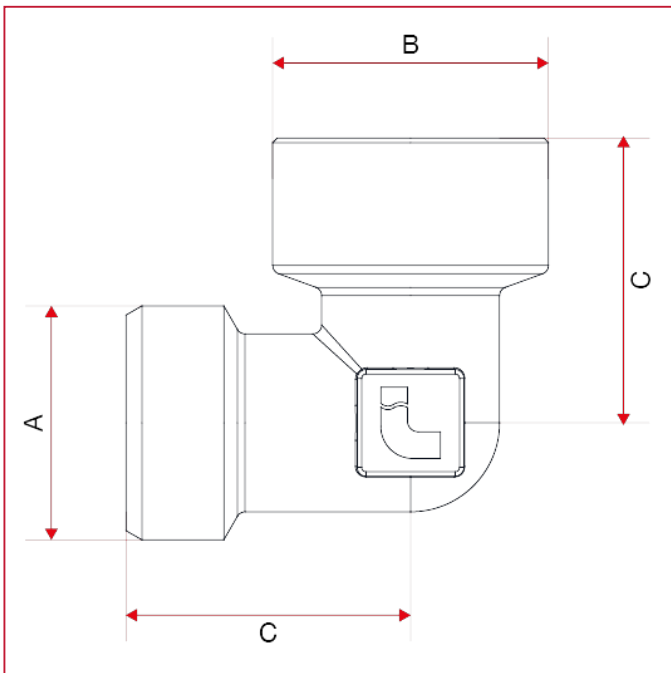
TECHNICAL SPECIFICATIONS

Male thread 1/2" equipped with a conical seat and inner diameter mm.16.

Male thread 3/4" eurokonus.

Maximum working pressure: 20 bar.

OVERALL DIMENSIONS



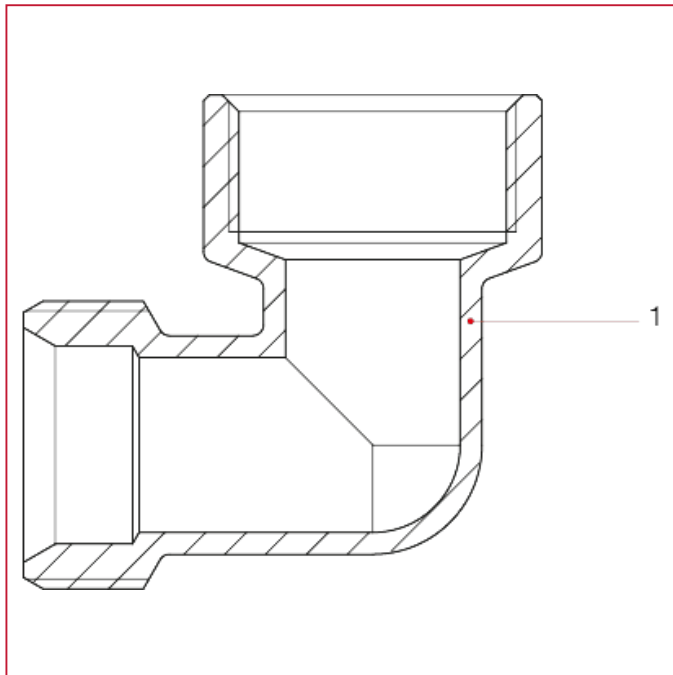


FITTINGS FOR MULTILAYER, PEX AND POLYBUTYLENE PIPE

545 available sizes: 1/2"x1/2", 1/2"Mx3/4"F, 3/4"x3/4" eurokonus

	1/2"x1/2"	1/2"x3/4"	3/4"x3/4"
A	1/2	1/2	3/4
B	25	31	31
C	26	30	32
Kg/cm2 bar	20	20	20
LBS - psi	290	290	290

MATERIALS



POS.	DESCRIPTION	N.	MATERIAL
1	Fitting	1	Nickel-plated brass CW617N



FITTINGS FOR MULTILAYER, PEX AND POLYBUTYLENE PIPE

548 Backplate female elbow

Available sizes: 1/2"x1/2", 3/4"x3/4" eurokonus



548 available sizes: 1/2"x1/2", 3/4"x3/4" eurokonus

SIZE	CODE	PACKING
1/2"	5480012012	12/180
3/4"	5480034034	8/112

CERTIFICATIONS



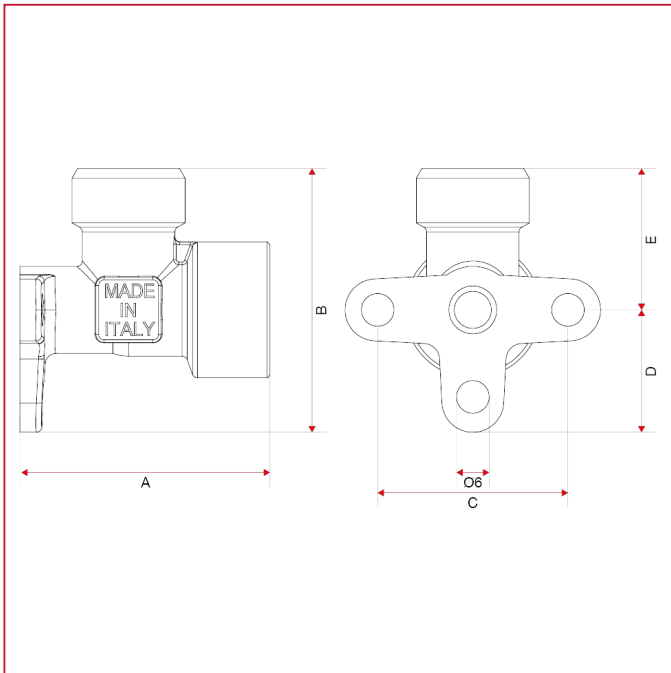
TECHNICAL SPECIFICATIONS

Male thread 1/2" equipped with a conical seat and inner diameter mm.16.

Male thread 3/4" eurokonus.

Maximum working pressure: 20 bar.

OVERALL DIMENSIONS



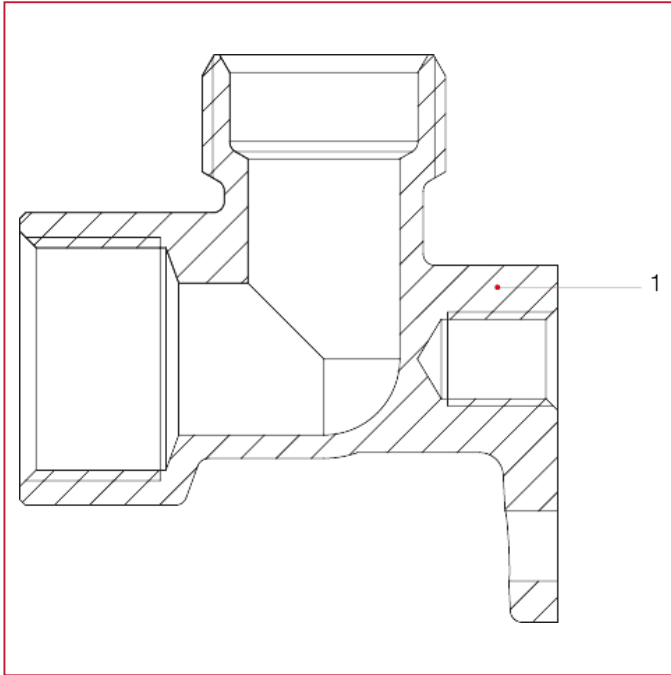


FITTINGS FOR MULTILAYER, PEX AND POLYBUTYLENE PIPE

548 available sizes: 1/2"x1/2", 3/4"x3/4" eurokonus

	1/2"	3/4"
A	46	54
B	25	31
C	35	40
D	16	19
E	26	32
Kg/cm2 bar	20	20
LBS - psi	290	290

MATERIALS

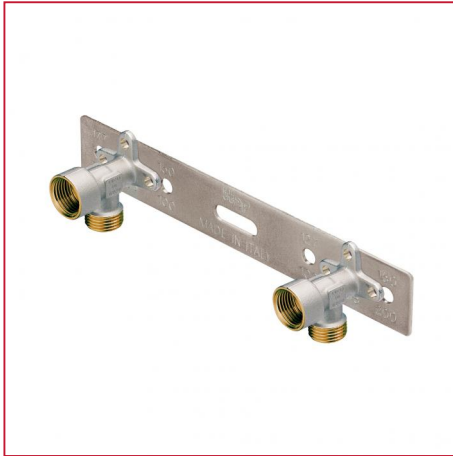


POS.	DESCRIPTION	N.	MATERIAL
1	Fitting	1	Nickel-plated brass CW617N



FITTINGS FOR MULTILAYER, PEX AND POLYBUTYLENE PIPE

578 Metal template with 2 backplate elbows



SIZE	CODE	PACKING
1/2"	578012012	6/30
3/4"	578034034	4/20

CERTIFICATIONS



TECHNICAL SPECIFICATIONS

It allows the greatest accuracy during the installation of Multi-Fit® fittings.

Centres distances: mm.100, mm.127, mm.150, mm.177, mm.200.

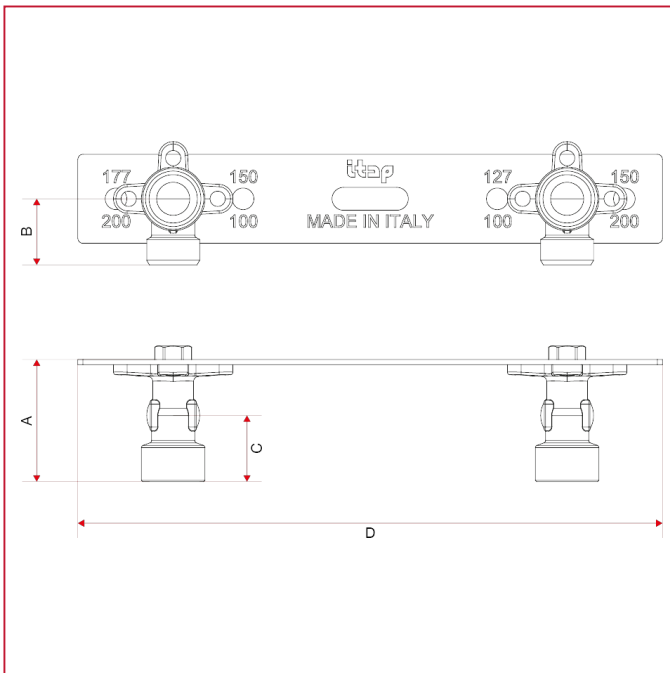
Available sizes: 1/2"x1/2", 3/4"x3/4" eurokonus.

Male thread 1/2" equipped with a conical seat and inner diameter mm.16.

Male thread 3/4" eurokonus.

Maximum working pressure: 20 bar.

OVERALL DIMENSIONS

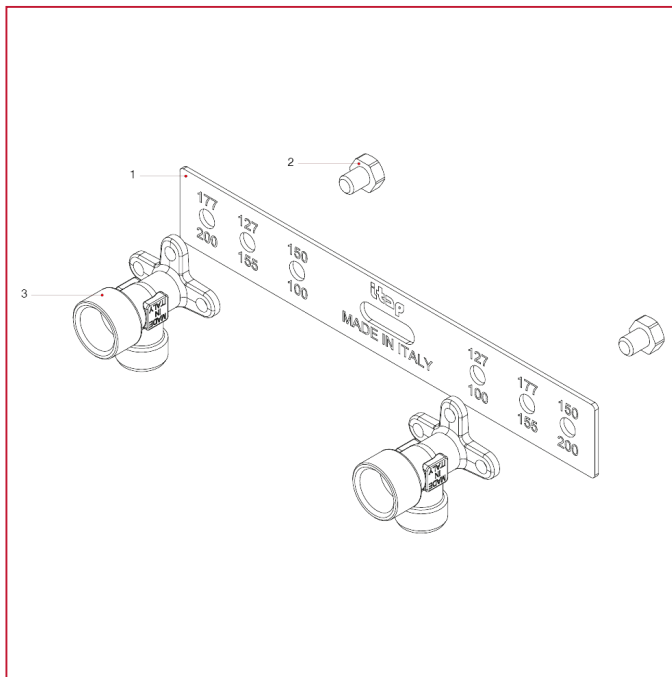




FITTINGS FOR MULTILAYER, PEX AND POLYBUTYLENE PIPE

	1/2"	3/4"
A	48	56
B	26	32
C	26	32
D	230	230
Kg/cm2 bar	20	20
LBS - psi	290	290

MATERIALS



POS.	DESCRIPTION	N.	MATERIAL
1	Template	1	Steel P11
2	Screw	2	Fe
3	Elbow fitting	2	Nickel-plated brass CW617N



FITTINGS FOR MULTILAYER, PEX AND POLYBUTYLENE PIPE

518N Male/male adapter - 1" manifolds



SIZE	PRESSURE	CODE	PACKING
1/2" - 1/2"	20bar/290psi	5180012012N	30/570
1/2" - 3/4" EUROKONUS	20bar/290psi	5180012034N	20/440

CERTIFICATIONS



TECHNICAL SPECIFICATIONS

Available size: 1/2"x1/2", 1/2"x3/4" eurokonus.

Body in nickel-plated brass.

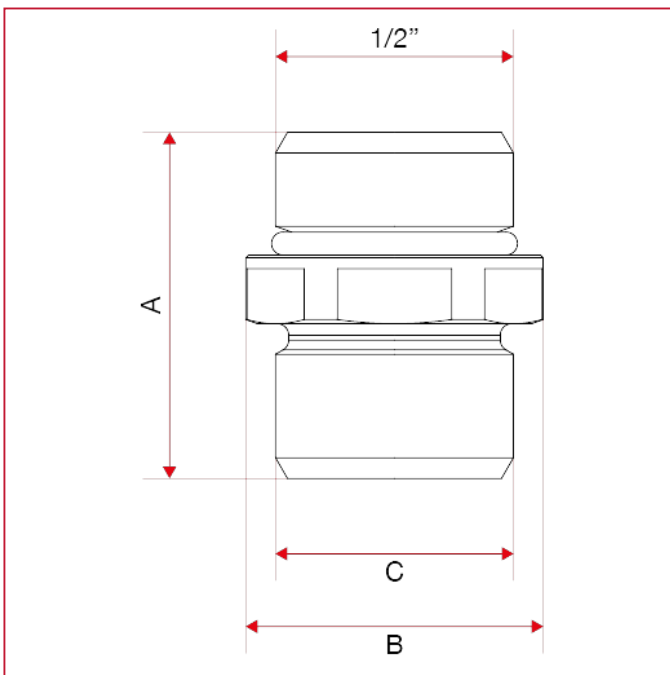
Maximum working temperature: 100°C.

Threads: ISO228 (equivalent to DIN EN ISO 228 and BS EN ISO 228).

Thread G: available in size 1/2" with conical seat and inner diameter mm.16 or in size 3/4" eurokonus.

1/2"x1/2" size is also suitable as adapter for flow meters on 1" manifolds.

OVERALL DIMENSIONS

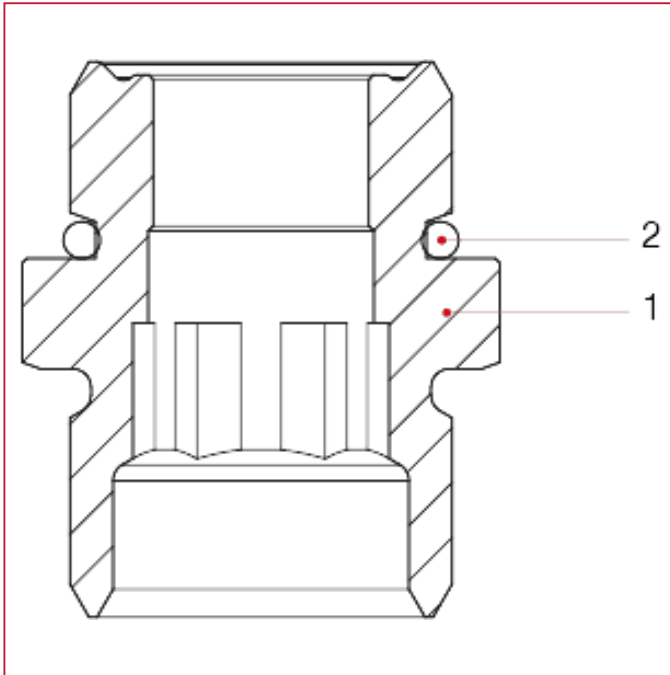




FITTINGS FOR MULTILAYER, PEX AND POLYBUTYLENE PIPE

	1/2" - 1/2"	1/2" - 3/4" EUR OKONUS
A	30,2	29,2
B	26	26
C	1/2"	3/4"
Kg/cm ² bar	20	20
LBS - psi	290	290

MATERIALS



POS.	DESCRIPTION	N.	MATERIAL
1	Fitting	1	Nickel-plated brass CW614N
2	O-ring	1	EPDM



FITTINGS FOR MULTILAYER, PEX AND POLYBUTYLENE PIPE

519N Male/male adapter - 1"1/4 manifolds



SIZE	PRESSURE	CODE	PACKING
1/2" - 3/4" EUROKONUS	20bar/290psi	5190012034N	20/360

CERTIFICATIONS



TECHNICAL SPECIFICATIONS

Available size: 1/2"x3/4" eurokonus.

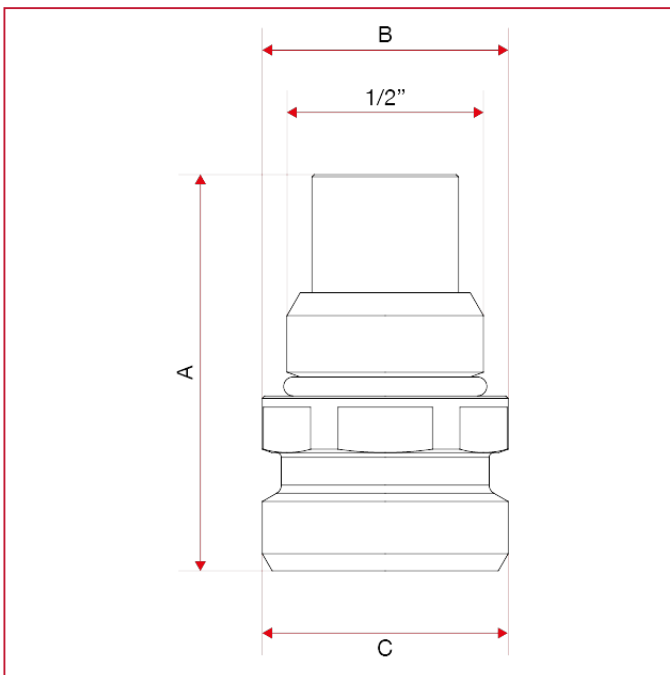
Body in nickel-plated brass.

Maximum working temperature: 100°C.

Threads: ISO228 (equivalent to DIN EN ISO 228 and BS EN ISO 228).

It is also suitable as adapter for flow meters on 1"1/4 manifolds.

OVERALL DIMENSIONS

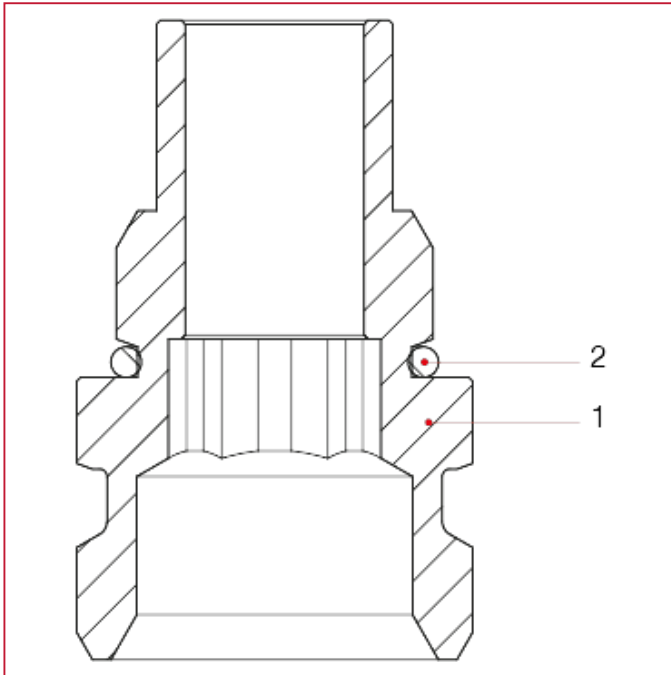




FITTINGS FOR MULTILAYER, PEX AND POLYBUTYLENE PIPE

	1/2" - 3/4" EUR OKONUS
A	41,9
B	26
C	3/4"
Kg/cm ² bar	20
LBS - psi	290

MATERIALS



POS.	DESCRIPTION	N.	MATERIAL
1	Fitting	1	Nickel-plated brass CW614N
2	O-ring	1	EPDM



FITTINGS FOR MULTILAYER, PEX AND POLYBUTYLENE PIPE

494 Male end cap with o-ring



SIZE	PRESSURE	CODE	PACKING
3/8"	10bar/145psi	4940038	50/1000
1/2"	10bar/145psi	4940012	40/760
3/4"	10bar/145psi	4940034	26/598
1"	10bar/145psi	4940100	16/352
1"1/4	10bar/145psi	4940114	12/240

CERTIFICATIONS



TECHNICAL SPECIFICATIONS

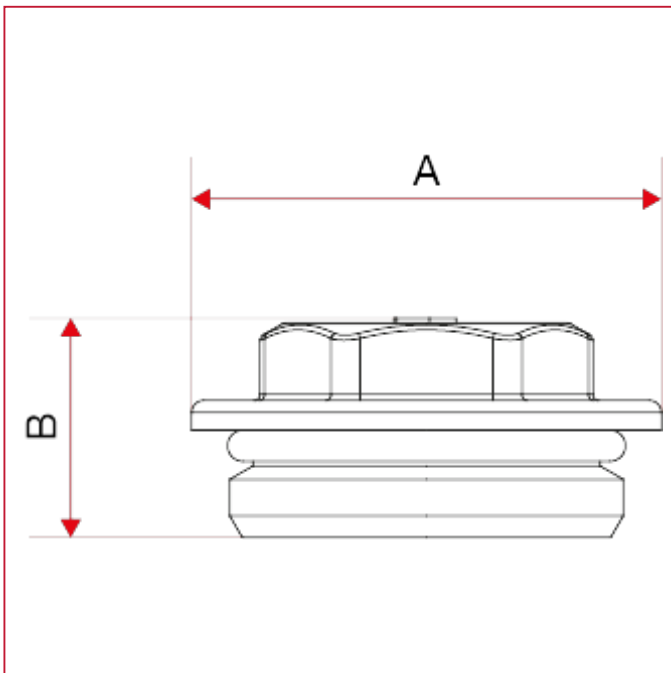
Body in nickel-plated brass.

O-ring in EPDM.

Maximum working temperature: 110°C.

Threads: ISO 228 (equivalent to DIN EN ISO 228 and BS EN ISO 228).

OVERALL DIMENSIONS

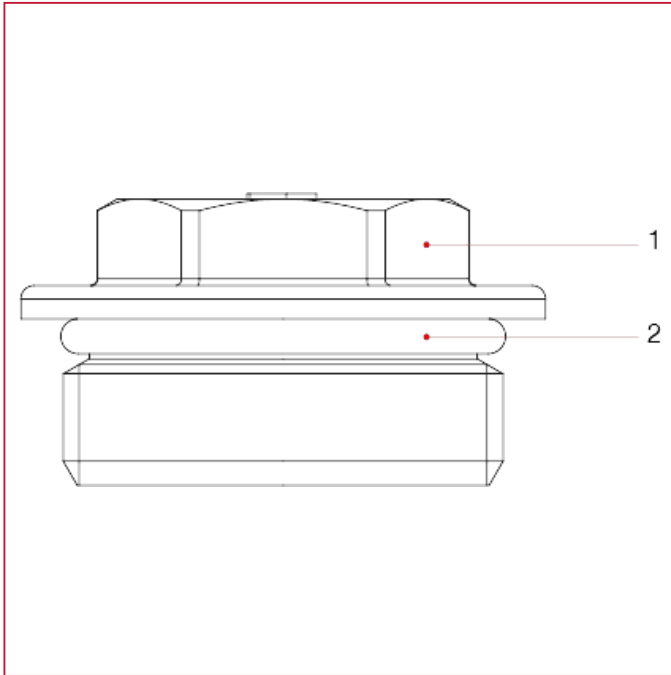




FITTINGS FOR MULTILAYER, PEX AND POLYBUTYLENE PIPE

	3/8"	1/2"	3/4"	1"	1"1/4"
A	24	26	33	39,5	48
B	13	14,5	17	18	22,5
Kg/cm2 bar	10	10	10	10	10
LBS - psi	145	145	145	145	145

MATERIALS



POS.	DESCRIPTION	N.	MATERIAL
1	Cap	1	Nickel-plated brass CW617N
2	O-ring	1	EPDM



FITTINGS FOR MULTILAYER, PEX AND POLYBUTYLENE PIPE

680 Pipe deburring tool



CODE

680012028

PACKING

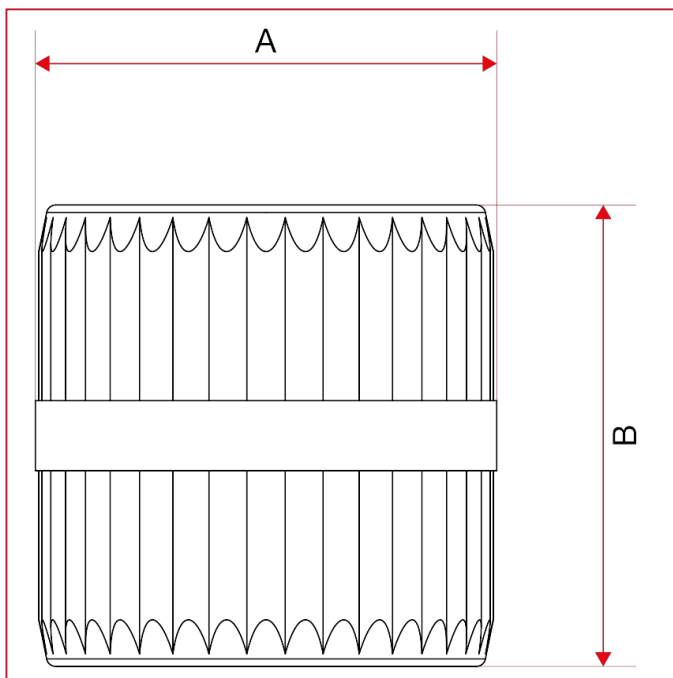
1/80

TECHNICAL SPECIFICATIONS

Suitable for pipes with diameter from 4mm to 36mm.

Material: polymer.

OVERALL DIMENSIONS

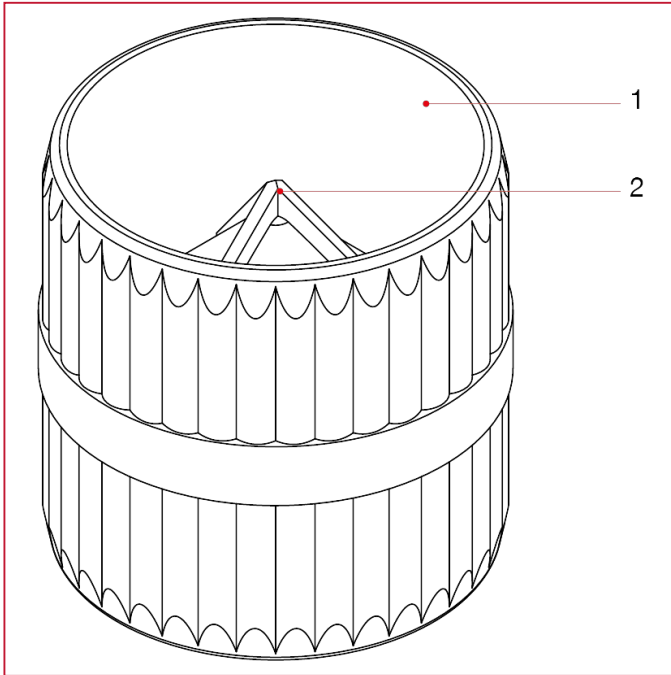


A	49,5
B	49,5



FITTINGS FOR MULTILAYER, PEX AND POLYBUTYLENE PIPE

MATERIALS



POS.	DESCRIPTION	N.	MATERIAL
1	Pipe deburring tool	1	Polymer
2	Blades	1	Hardened steel



FITTINGS FOR MULTILAYER, PEX AND POLYBUTYLENE PIPE

575 Shear for multilayer and PEX pipes



CODE	PACKING
575014032	1/0

TECHNICAL SPECIFICATIONS

Suitable for pipes with diameter from 14mm to 32mm.



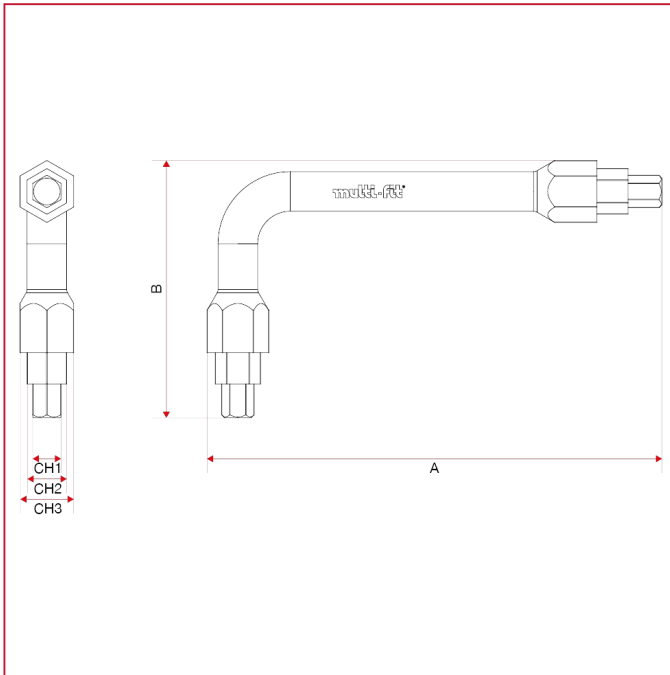
FITTINGS FOR MULTILAYER, PEX AND POLYBUTYLENE PIPE

570 Connecting/disconnecting tool



CODE	PACKING
570014026	1/60

OVERALL DIMENSIONS

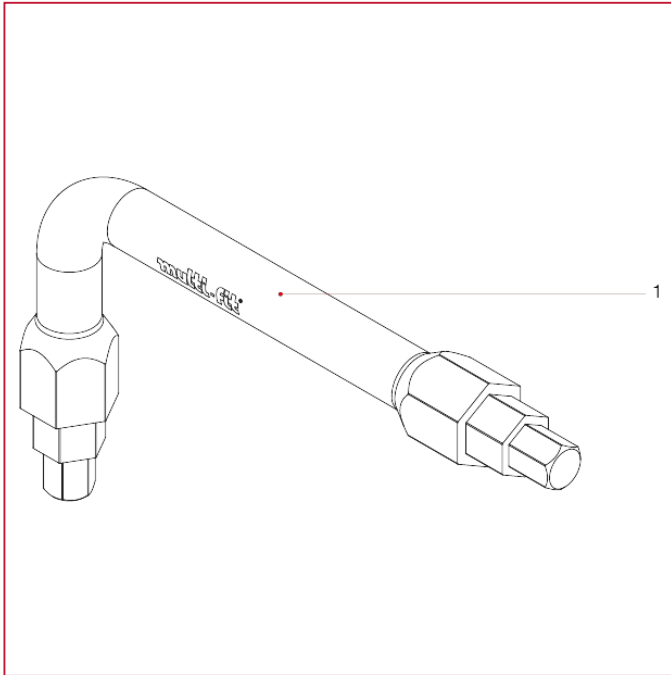


A	168
B	92
CH	CH1:10; CH2:14; CH3:19



FITTINGS FOR MULTILAYER, PEX AND POLYBUTYLENE PIPE

MATERIALS



POS.	DESCRIPTION	N.	MATERIAL
1	Spanner	1	C40



ITAP S.p.A.
Via Ruca 19
25065 Lumezzane
Brescia (ITALY)
Tel 030 8927011
Fax 030 8921990
www.itap.it - info@itap.it

We reserve the right to make improvements and changes to the products described herein and to the relative technical data, at any time and without forewarning.

rev. 20230329